

# KAUS SPOT LUMINAIRE



## General Application Areas



Office



School



Hospital



Shopping Centers



Meeting Rooms



Laboratories



Corridors



Hotels

## General Information

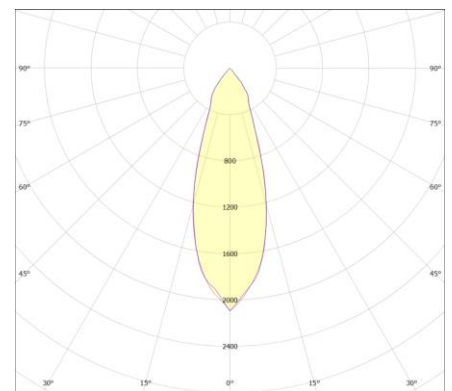
Despite its compact structure, it is a professional lighting solution that offers high light performance and combines aesthetics and functionality. While it provides durability thanks to its aluminum injection body, it offers superior visual comfort with its high-transmittance glass optics and UGR<19 reflector structure. Equipped with high-quality COB LED technology, the KAUS Spot Luminaire offers a lifespan of 50,000 hours > L70. Thanks to its high thermal conductivity PCB structure, it provides long-lasting and stable performance. The product offers reliable and efficient operation with its highly efficient and ENEC certified drive. Ideal for offices, stores, shopping malls, hotels, showrooms, and any areas requiring indoor accent lighting, KAUS Spot Luminaire offers solutions suitable for different application needs.

The product, which is offered in Daylight and Warm White color temperatures as standard, can also be produced with desired CCT options according to demand. Thanks to its dimmable structure, light control can be achieved and adapts to different scenarios.

It offers wide application flexibility with optional DALI and 1-10V dimming, corridor function and emergency lighting up to 3 hours.

With all these features, KAUS Spot Luminaire is produced with high quality materials and engineering details and is covered by a 5-year warranty.

## Optical Beam Angles



## Highlights

<b>Usage</b>	: Recessed
<b>Body</b>	: Aluminum Injection
<b>Diffuser</b>	: High Transmittance Glass & UGR: 19< Reflector
<b>Protection Class</b>	: IP40
<b>Impact Resistance</b>	: IK02
<b>Size</b>	: 3" / 4"
<b>Led</b>	: L70 > 50,000 Hours Lifespan Mid Power LED
<b>Driver</b>	: ENEC, CE Certificated 5 Years Warranty Driver

## Optical and Electrical Properties

<b>Consumption Power</b>	: 5W / 10W	<b>Input Frequency</b>	: 50 ~ 60 Hz
<b>Total Lumens</b>	: <b>5W</b> = 590LM ( $\pm$ 5%) : <b>10W</b> = 1160LM ( $\pm$ 5%)	<b>Power Factor</b>	: $\geq$ 0.95
<b>Combined Glare Index (UGR)</b>	: <20	<b>Max Tensile Strength</b>	: 2kV
<b>Effectiveness Factor</b>	: <b>5W</b> = 118 lm/W : <b>10W</b> = 116 lm/W	<b>Color Temperature</b>	: 2700K $\infty$ 6500K
<b>Voltage System</b>	: 200-240V AC	<b>CRI</b>	: 80 CRI
<b>THD-(Total Harmonic Distortion)</b>	: <%20		

## Other Features

<b>Operating Temperature</b>	: -20° ~ +35°C	<b>Drive Life</b>	: Ta=50°C 50,000 hours
<b>Led Life</b>	: L70 > 60,000 hours		

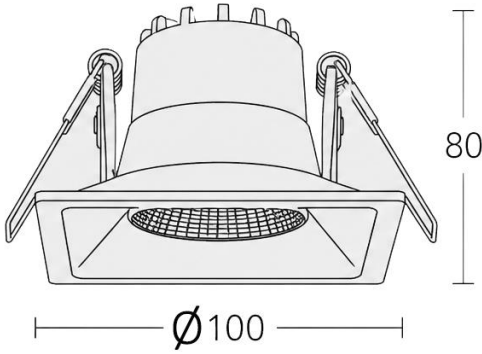
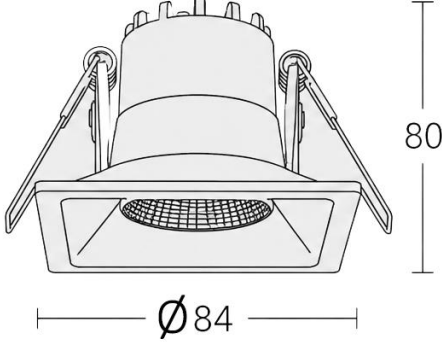
## Optional Features

<b>Color Temperature</b>	: 2700K, 3000K, 4000K, 6500K	<b>Otomasyon/DIM Uyumluluđu</b>	: DALI, 1-10V, Phase Cut, BasicDIM Wireless
<b>KİT Uyumluluđu</b>	: 1, 3 Saat		

## Product Variations

Product Code	Power	Input Voltage	CCT	Efficiency Factor(lm/W)	Luminous Flux	Light Angle	Dimensions	Weight (kg)	Body Color	Teepee Assembly
KAS-005RM-00351-827-9016	5W	220V-240VAC	2700K	>118	590Lm	35°	3"	0,30	White	Recessed
KAS-005RM-00351-830-9016	5W	220V-240VAC	3000K	>118	590Lm	35°	3"	0,30	White	Recessed
KAS-005RM-00351-840-9016	5W	220V-240VAC	4000K	>118	590Lm	35°	3"	0,30	White	Recessed
KAS-005RM-00351-865-9016	5W	220V-240VAC	6500K	>118	590Lm	35°	3"	0,30	White	Recessed
KAS-010RM-00351-827-9016	10W	220V-240VAC	2700K	>116	1160Lm	35°	4"	0,35	White	Recessed
KAS-010RM-00351-830-9016	10W	220V-240VAC	3000K	>116	1160Lm	35°	4"	0,35	White	Recessed
KAS-010RM-00351-840-9016	10W	220V-240VAC	4000K	>116	1160Lm	35°	4"	0,35	White	Recessed
KAS-010RM-00351-865-9016	10W	220V-240VAC	6500K	>116	1160Lm	35°	4"	0,35	White	Recessed

## Technical Drawing (Side View) and Wiring Diagram



## Shipment Information of Products

Product Code	Power	Product Weight (kg)	Product Weight in Box (kg)	Volume(m3)	Pieces in Box	Product Dimensions in Box (mm)
KAS-005RM-00351-830-9016	5W	0,30	0,50	0,00088	1	95x95x100
KAS-010RM-00351-830-9016	10W	0,35	0,55	0,00121	1	110x110x100