

KAUS S-A SPOT LUMINAIRE



General Application Areas



Office



School



Hospital



Shopping
Centers



Meeting
Rooms



Laboratories



Corridors



Hotels

General Information

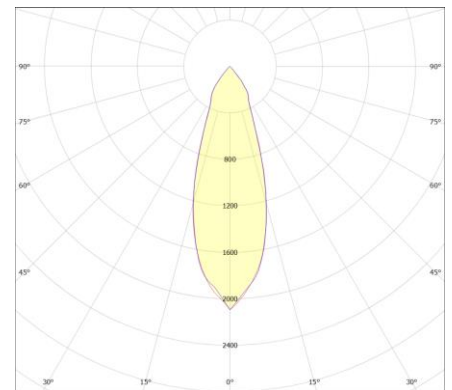
Offering high light performance despite its compact structure, KAUS S-A is a professional lighting solution that combines aesthetics and functionality with its movable head mechanism. While it provides durability thanks to its aluminum injection body, its flexible structure that allows focusing the light in the desired direction, combined with high-transmittance glass optics and UGR<19 reflector design, provides superior visual comfort.

Equipped with high-quality COB LED technology, the KAUS Spot Luminaire offers a lifespan of 50,000 hours > L70. Thanks to its high thermal conductivity PCB structure, it provides long-lasting and stable performance. The product offers reliable and efficient operation with its highly efficient and ENEC certified drive.

Ideal for offices, stores, shopping malls, hotels, showrooms and especially interiors where there is a need to emphasize certain points, KAUS Spot Luminaire produces flexible solutions for different application needs thanks to its mobility. The product, which is offered in Daylight and Warm White color temperatures as standard, can also be produced with desired CCT options according to demand. Thanks to its dimmable structure, light control can be achieved and adapts to different scenarios.

It offers wide application flexibility with optional DALI and 1-10V dimming, corridor function and emergency lighting up to 3 hours. With all these features, KAUS Spot Luminaire is produced with high quality materials and engineering details and is covered by a 5-year warranty.

Optical Beam Angles



KAUS S-A SPOT LUMINAIRE

Highlights

Usage	: Recessed
Body	: Aluminum Injection
Diffuser	: High Transmittance Glass & UGR: 19< Reflector
Protection Class	: IP40
Impact Resistance	: IK02
Size	: 3"/ 4"
Led	: L70 > 50,000 Hours Lifespan Mid Power LED
Driver	: ENEC, CE Certificated 5 Years Warranty Driver

Optical and Electrical Properties

Consumption Power : 5W / 10W	Input Frequency : 50 ~ 60 Hz
Total Lumens : 5W = 590LM (±%5) 10W = 1160LM (±%5)	Power Factor : ≥ 0.95
Combined Glare Index (UGR) : <20	Max Tensile Strength : 2kV
Effectiveness Factor : 5W = 118 lm/W 10W = 116 lm/W	Color Temperature : 2700K ∞ 6500K
Voltage System : 200-240V AC	CRI : 80 CRI
THD-(Total Harmonic Distortion) : <%20	

Other Features

Operating Temperature : -20° ~ +35°C	Drive Life : Ta=50°C 50,000 hours
Led Life : L70 > 60,000 hours	

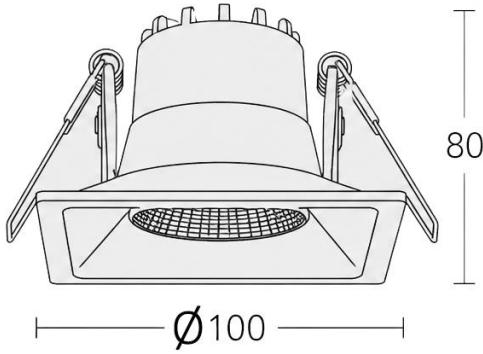
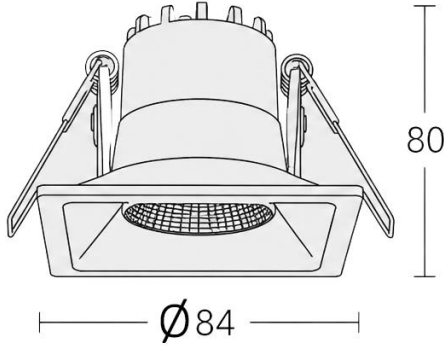
Optional Features

Color Temperature : 2700K, 3000K, 4000K, 6500K	Otomasyon/DIM Uyumluluğu : DALI, 1-10V, Phase Cut, BasicDIM Wireless
KİT Uyumluluğu : 1, 3 Saat	

Product Variations

Product Code	Power	Input Voltage	CCT	Efficiency Factor(lm/W)	Luminous Flux	Light Angle	Dimensions	Weight (kg)	Body Color	Teepee Assembly
KSA-005RM-00351-827-9016	5W	220V-240VAC	2700K	>118	590Lm	35°	3"	0,30	White	Recessed
KSA-005RM-00351-830-9016	5W	220V-240VAC	3000K	>118	590Lm	35°	3"	0,30	White	Recessed
KSA-005RM-00351-840-9016	5W	220V-240VAC	4000K	>118	590Lm	35°	3"	0,30	White	Recessed
KSA-005RM-00351-865-9016	5W	220V-240VAC	6500K	>118	590Lm	35°	3"	0,30	White	Recessed
KSA-010RM-00351-827-9016	10W	220V-240VAC	2700K	>116	1160Lm	35°	4"	0,35	White	Recessed
KSA-010RM-00351-830-9016	10W	220V-240VAC	3000K	>116	1160Lm	35°	4"	0,35	White	Recessed
KSA-010RM-00351-840-9016	10W	220V-240VAC	4000K	>116	1160Lm	35°	4"	0,35	White	Recessed
KSA-010RM-00351-865-9016	10W	220V-240VAC	6500K	>116	1160Lm	35°	4"	0,35	White	Recessed

Technical Drawing (Side View) and Wiring Diagram



Shipment Information of Products

Product Code	Power	Product Weight (kg)	Product Weight in Box (kg)	Volume(m3)	Pieces in Box	Product Dimensions in Box (mm)
KSA-005RM-00351-830-9016	5W	0,30	0,50	0,00088	1	95x95x100
KSA-010RM-00351-830-9016	10W	0,35	0,55	0,00121	1	110x110x100