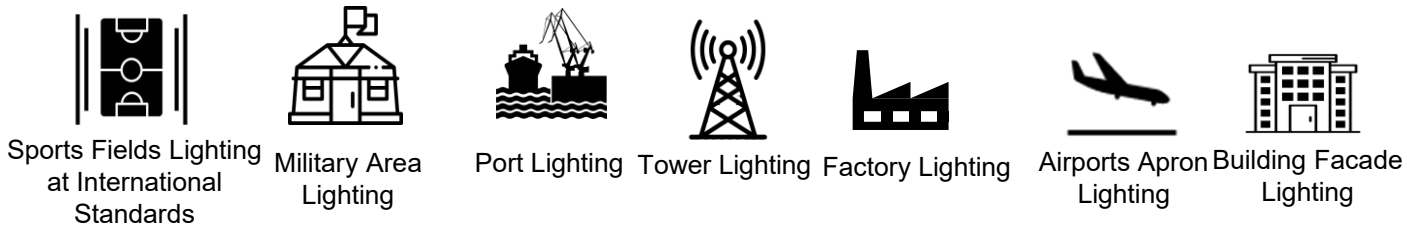


ANTARES WHITE LED Projector 26W



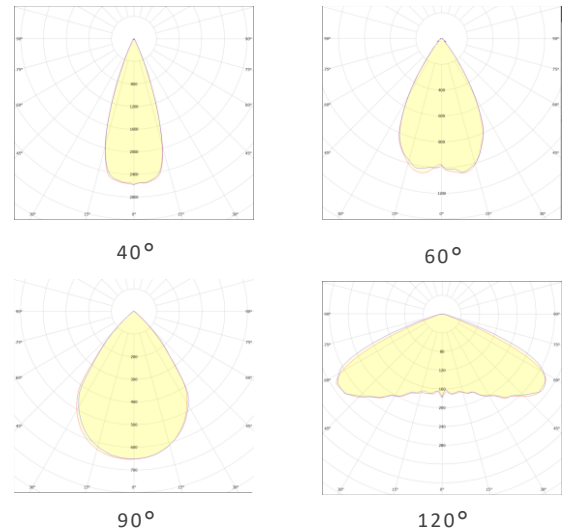
General Application Areas



General Information

ANTARES-WHITE LED floodlights are a highly efficient and versatile solution for modern lighting needs, offering significant energy savings and a long lifetime compared to traditional lighting. LED floodlights are renowned for their durability and low power consumption, which contributes to reduced energy costs and a decreased environmental impact. This makes them well-suited for both commercial and residential applications. These products also enhance architectural aesthetics by adding visual appeal with narrow-angle or wide-angle/field lighting options that emphasize structural details. LED floodlights offer a variety of light distribution options and lighting distribution patterns, including narrow-angle spotlights and wide-angle lighting. This versatility allows them to provide customizable solutions for different environments and lighting requirements.

Optical Beam Angles



ANTARES WHITE LED Projector 26W

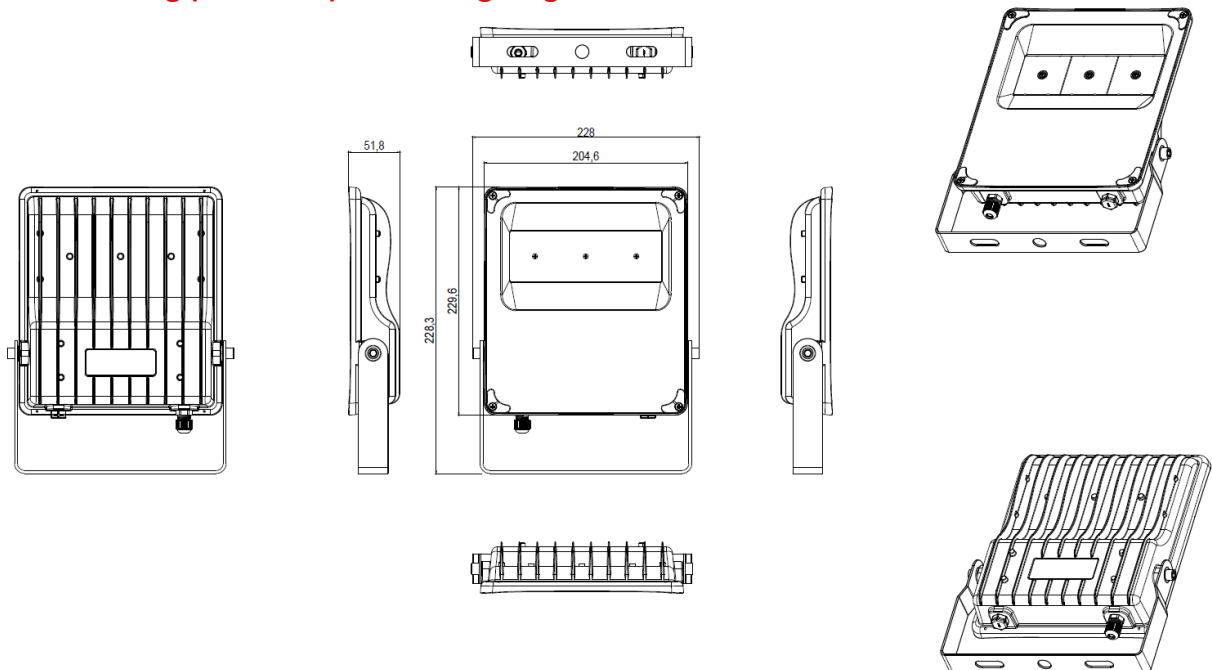
Technical Specifications

Power	:26W
Input Voltage	:200-240 V AC 50/60 HZ
Power Factor	:>0,95
Effectiveness Factor	:140lm/W
Luminous Flux	:3640lm
Light Angle	:40°, 60°, 90°, 120°
Color Temperature (CCT)	:3000K /4000K/5000K/ 6500K
Color Rendering Index (CRI)	:80+
IP Protection Class	:IP 66
Dimensions	:228,3 x 228 x 51,8 mm
Weight	:1.5 kg
Warranty Period	:3/5 Year

Optical and Electrical Properties

Body	Aluminum Injection Molding	CE Marking	Yes
Color Options	RAL 9004	RoHS Compliance	Yes
Front Cover	Tempered Glass	Lifetime	≥50,000 Hours (L80)
Lens	PMMA	Throttling Options	1-10V, TRIAC, DALI
Light source	LED	Operating Temperature	-25°/+35°C (55°C optional)
Impact Resistance	IK 08 (tempered glass) / IK 10 Body	Total Harmonic Distortion	<%15

Technical Drawing (Side View) and Wiring Diagram



Product Variations

Product Code	Power	Input Voltage	Luminous Flux	Light Angle	Dimensions	Weight
ANT-026SM-00402-850-9004	26 W	200-240 V AC 50/60 Hz	3640lm	40°	228,3 x 228 x 51,8 mm	1.5 kg
ANT-026SM-00602-850-9004	26 W	200-240 V AC 50/60 Hz	3640lm	60°	228,3 x 228 x 51,8 mm	1.5 kg
ANT-026SM-00902-850-9004	26 W	200-240 V AC 50/60 Hz	3640lm	90°	228,3 x 228 x 51,8 mm	1.5 kg
ANT-026SM-01202-850-9004	26 W	200-240 V AC 50/60 Hz	3640lm	120°	228,3 x 228 x 51,8 mm	1.5 kg