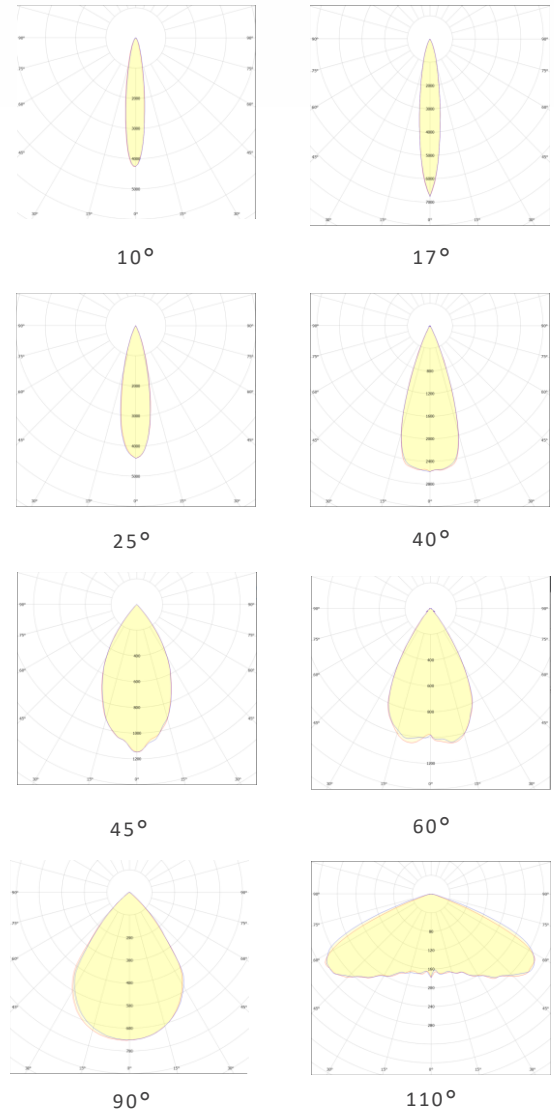
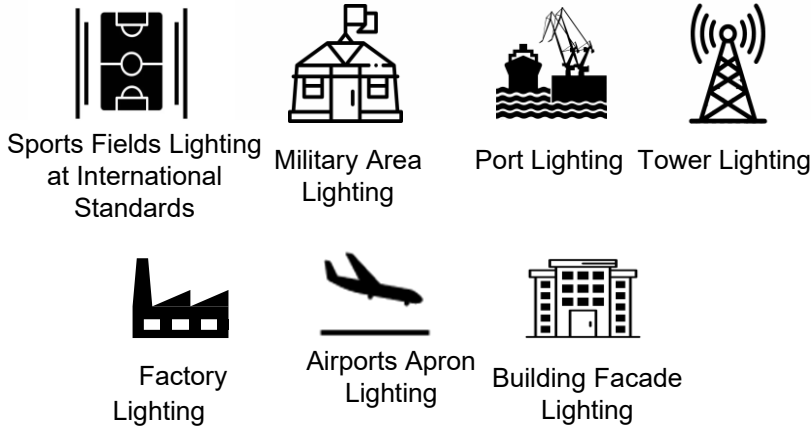


ANTARES COLOR WHITE LED Projector



General Application Areas

Optical Beam Angles



General Information

ANTARES COLOR WHITE LED floodlights are a highly efficient and versatile solution for modern lighting needs, offering significant energy savings and a long lifespan compared to traditional lighting.

LED floodlights, known for their durability and low power consumption, can reduce energy costs and environmental impact, making them ideal for both commercial and residential applications. They also enhance architectural aesthetics by adding visual appeal with options for narrow-angle or wide-angle/area lighting that highlight structural details. From narrow-angle spotlights to wide-angle illuminations, LED floodlights offer customizable solutions for different environments and lighting requirements, with various light distribution options and lighting patterns available.

ANTARES COLOR WHITE LED Projector

Teknik Özellikler

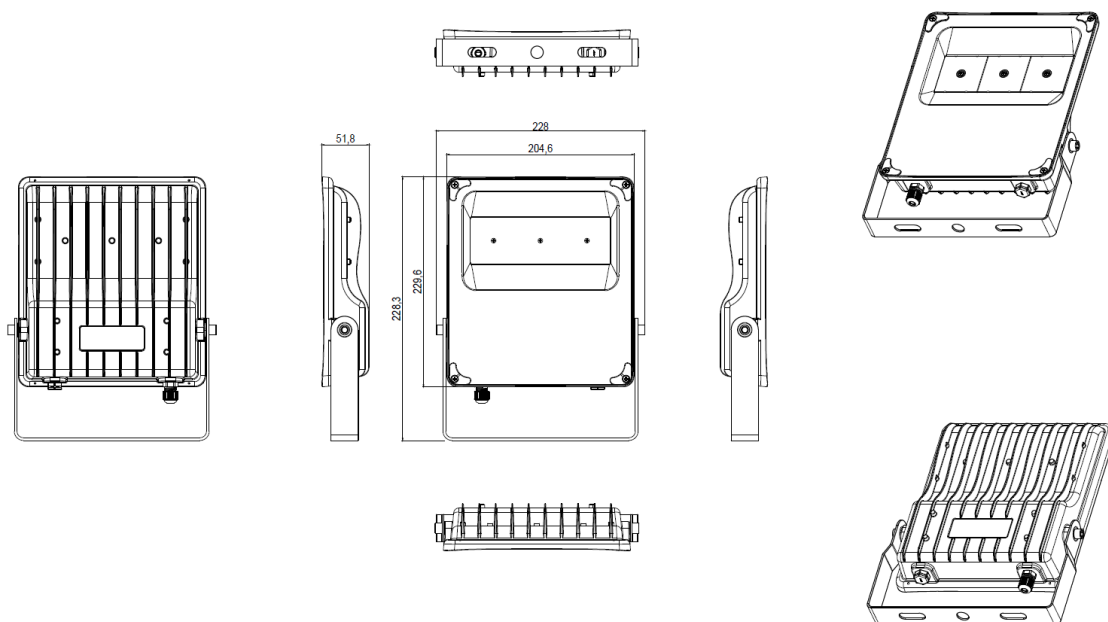
Power	:28W / 53W / 100W / 150W / 220W
Input Voltage	:200-240 V AC 50/60 HZ
Power Factor	:>0,95
Effectiveness Factor	:150 lm/W
Luminous Flux	:4200lm / 7950lm / 15000lm / 22500lm / 33000lm
Light Angle	:10°, 17°, 25°, 40°, 45°, 60°, 90°, 110°
Color Temperature (CCT)	:3000K / 4000K/5000K/ 6500K
Color Rendering Index (CRI)	:80+
IP Protection Class	:IP 66
Dimensions	:28W: 228,3 x 228 x 51,8 mm / 53W: 364,3 x 278 x 51,8 mm / 100W: 394,5 x 393,5 x 56,6 mm / 150W: 445,4 x 392,5 x 56,8 mm / 220W: 497,5 x 392,5 x 58,8 mm
Weight	:1.5 kg / 2.5 kg / 4 kg/ 4.5 kg / 5.5 kg
Warranty Period	:3 Years

Optical and Electrical Properties

Body	Aluminum Injection	CE Marking	Yes
Color Options	RAL 9004	RoHS Compliance	Yes
Front Cover	Tempered Glass	Lifespan	≥50,000 Hours (L80)
Lens	PMMA	Throttling Options	1-10V, TRIAC, DALI
Light Source	LED	Operating Temperature	-25°/+55°C
Impact Resistance	IK 08 (Tempered Glass) / IK 10 (Body)	Total Harmonic Distortion	<%20

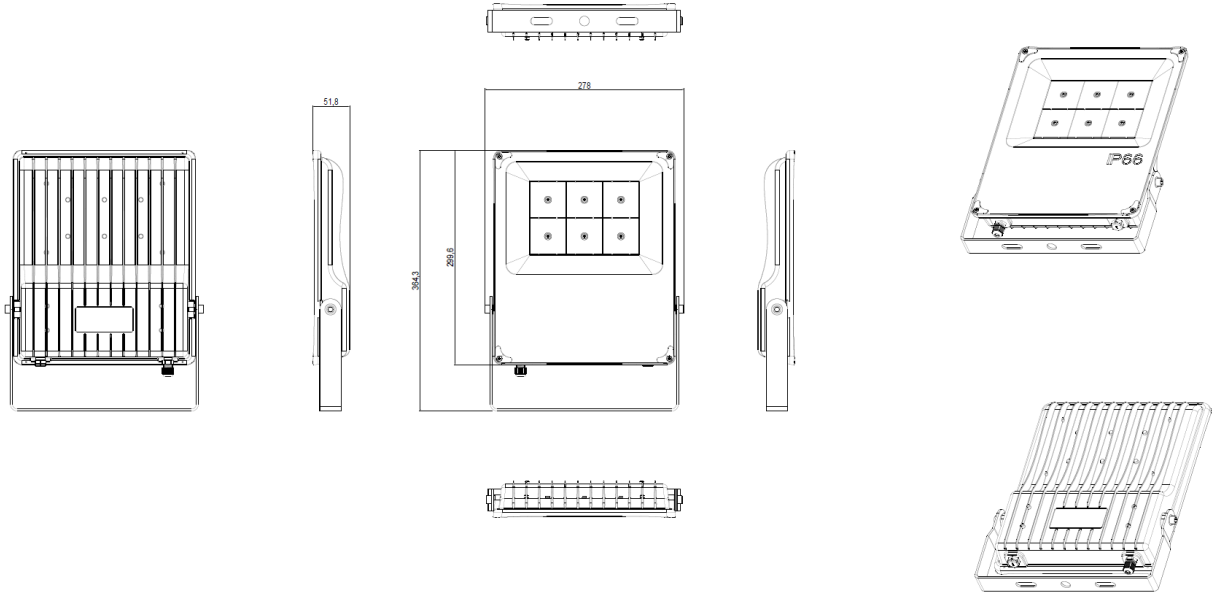
Technical Drawing (Side View) and Wiring Diagram

28W

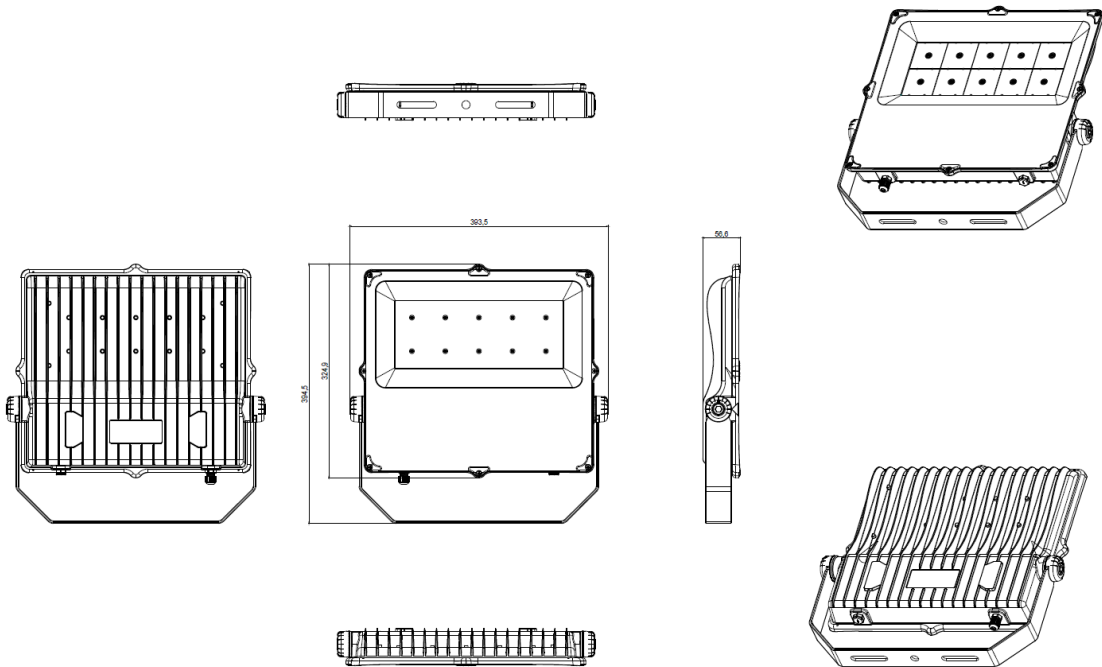


ANTARES COLOR WHITE LED Projector

53W

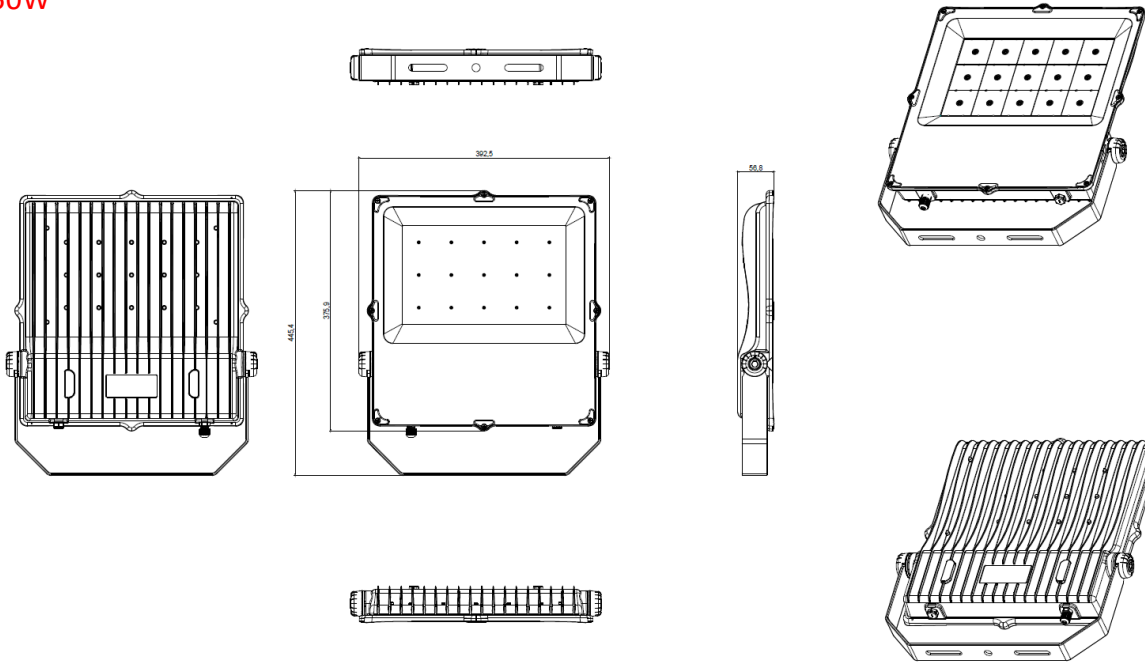


100W

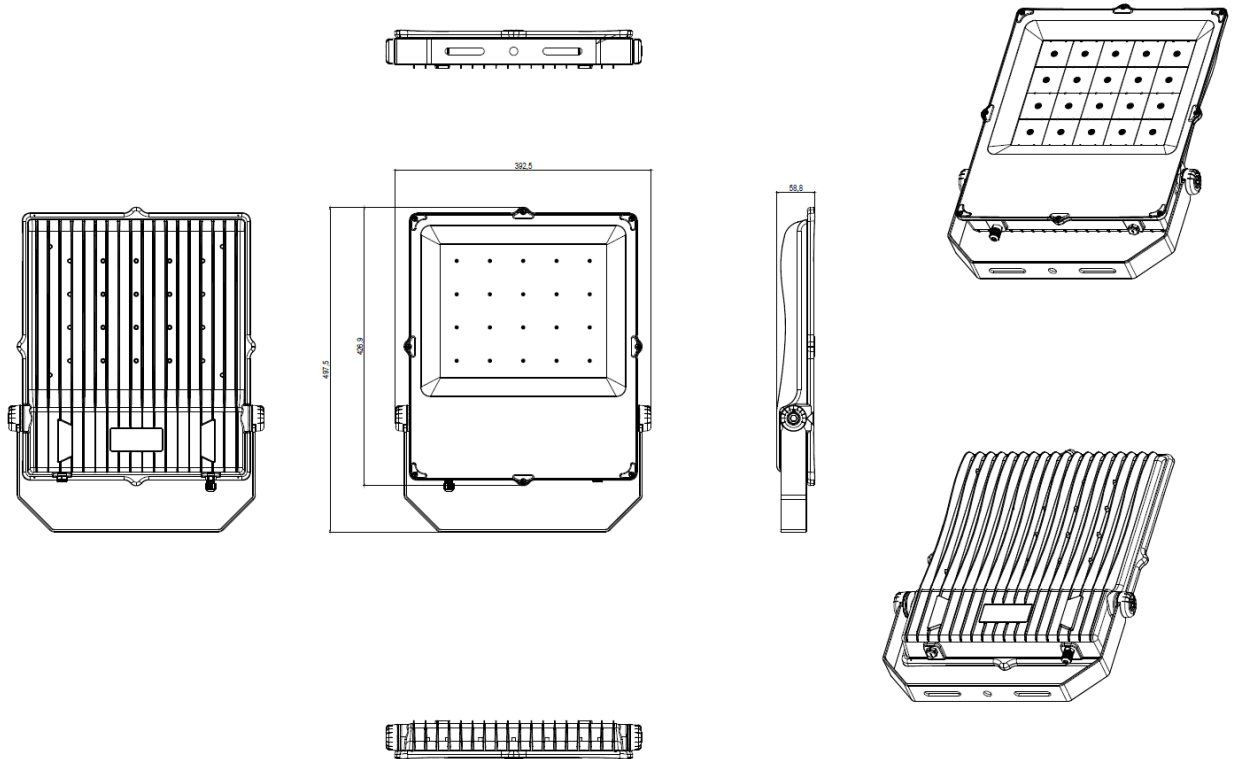


ANTARES COLOR WHITE LED Projector

150W



220W



ANTARES COLOR WHITE LED Projector

Product Variations

Product Code	Power	Input Voltage	Luminous Flux	Light Angle	Dimensions	Weight
ANW-028SM-00102-750-9004	28 W	200-240 V AC 50/60 Hz	4200lm	10°	228,3 x 228 x 51,8 mm	1.5 kg
ANW-028SM-00172-750-9004	28 W	200-240 V AC 50/60 Hz	4200lm	17°	228,3 x 228 x 51,8 mm	1.5 kg
ANW-028SM-00252-750-9004	28 W	200-240 V AC 50/60 Hz	4200lm	25°	228,3 x 228 x 51,8 mm	1.5 kg
ANW-028SM-00402-750-9004	28 W	200-240 V AC 50/60 Hz	4200lm	40°	228,3 x 228 x 51,8 mm	1.5 kg
ANW-028SM-00452-750-9004	28 W	200-240 V AC 50/60 Hz	4200lm	45°	228,3 x 228 x 51,8 mm	1.5 kg
ANW-028SM-00602-750-9004	28 W	200-240 V AC 50/60 Hz	4200lm	60°	228,3 x 228 x 51,8 mm	1.5 kg
ANW-028SM-00902-750-9004	28 W	200-240 V AC 50/60 Hz	4200lm	90°	228,3 x 228 x 51,8 mm	1.5 kg
ANW-028SM-01202-750-9004	28 W	200-240 V AC 50/60 Hz	4200lm	120°	228,3 x 228 x 51,8 mm	1.5 kg

Product Variations

Product Code	Power	Input Voltage	Luminous Flux	Light Angle	Dimensions	Weight
ANW-053SM-00102-750-9004	53 W	200-240 V AC 50/60 Hz	7950lm	10°	364,3 x 278 x 51,8 mm	2.5 kg
ANW-053SM-00172-750-9004	53 W	200-240 V AC 50/60 Hz	7950lm	17°	364,3 x 278 x 51,8 mm	2.5 kg
ANW-053SM-00252-750-9004	53 W	200-240 V AC 50/60 Hz	7950lm	25°	364,3 x 278 x 51,8 mm	2.5 kg
ANW-053SM-00402-750-9004	53 W	200-240 V AC 50/60 Hz	7950lm	40°	364,3 x 278 x 51,8 mm	2.5 kg
ANW-053SM-00452-750-9004	53 W	200-240 V AC 50/60 Hz	7950lm	45°	364,3 x 278 x 51,8 mm	2.5 kg
ANW-053SM-00602-750-9004	53 W	200-240 V AC 50/60 Hz	7950lm	60°	364,3 x 278 x 51,8 mm	2.5 kg
ANW-053SM-00902-750-9004	53 W	200-240 V AC 50/60 Hz	7950lm	90°	364,3 x 278 x 51,8 mm	2.5 kg
ANW-053SM-01202-750-9004	53 W	200-240 V AC 50/60 Hz	7950lm	120°	364,3 x 278 x 51,8 mm	2.5 kg

Product Variations

Product Code	Power	Input Voltage	Luminous Flux	Light Angle	Dimensions	Weight
ANW-100SM-00102-750-9004	100 W	200-240 V AC 50/60 Hz	15000lm	10°	394,5 x 393,5 x 56,6 mm	4 kg
ANW-100SM-00172-750-9004	100 W	200-240 V AC 50/60 Hz	15000lm	17°	394,5 x 393,5 x 56,6 mm	4 kg
ANW-100SM-00252-750-9004	100 W	200-240 V AC 50/60 Hz	15000lm	25°	394,5 x 393,5 x 56,6 mm	4 kg
ANW-100SM-00402-750-9004	100 W	200-240 V AC 50/60 Hz	15000lm	40°	394,5 x 393,5 x 56,6 mm	4 kg
ANW-100M-00452-750-9004	100 W	200-240 V AC 50/60 Hz	15000lm	45°	394,5 x 393,5 x 56,6 mm	4 kg
ANW-100SM-00602-750-9004	100 W	200-240 V AC 50/60 Hz	15000lm	60°	394,5 x 393,5 x 56,6 mm	4 kg
ANW-100SM-00902-750-9004	100 W	200-240 V AC 50/60 Hz	15000lm	90°	394,5 x 393,5 x 56,6 mm	4 kg
ANW-100SM-01202-750-9004	100 W	200-240 V AC 50/60 Hz	15000lm	120°	394,5 x 393,5 x 56,6 mm	4 kg

Product Variations

Product Code	Power	Input Voltage	Luminous Flux	Light Angle	Dimensions	Weight
ANW-150SM-00102-750-9004	150 W	200-240 V AC 50/60 Hz	22500lm	10°	445,4 x 392,5 x 56,8 mm	4.5 kg
ANW-150SM-00172-750-9004	150 W	200-240 V AC 50/60 Hz	22500lm	17°	445,4 x 392,5 x 56,8 mm	4.5 kg
ANW-150SM-00252-750-9004	150 W	200-240 V AC 50/60 Hz	22500lm	25°	445,4 x 392,5 x 56,8 mm	4.5 kg
ANW-150SM-00402-750-9004	150 W	200-240 V AC 50/60 Hz	22500lm	40°	445,4 x 392,5 x 56,8 mm	4.5 kg
ANW-150SM-00452-750-9004	150 W	200-240 V AC 50/60 Hz	22500lm	45°	445,4 x 392,5 x 56,8 mm	4.5 kg
ANW-150SM-00602-750-9004	150 W	200-240 V AC 50/60 Hz	22500lm	60°	445,4 x 392,5 x 56,8 mm	4.5 kg
ANW-150SM-00902-750-9004	150 W	200-240 V AC 50/60 Hz	22500lm	90°	445,4 x 392,5 x 56,8 mm	4.5 kg
ANW-150SM-01202-750-9004	150 W	200-240 V AC 50/60 Hz	22500lm	120°	445,4 x 392,5 x 56,8 mm	4.5 kg

Product Variations

Product Code	Power	Input Voltage	Luminous Flux	Light Angle	Dimensions	Weight
ANW-220SM-00102-750-9004	220 W	200-240 V AC 50/60 Hz	33000lm	10°	497,5 x 392,5 x 58,8 mm	5 kg
ANW-220SM-00172-750-9004	220 W	200-240 V AC 50/60 Hz	33000lm	17°	497,5 x 392,5 x 58,8 mm	5 kg
ANW-220SM-00252-750-9004	220 W	200-240 V AC 50/60 Hz	33000lm	25°	497,5 x 392,5 x 58,8 mm	5 kg
ANW-220SM-00402-750-9004	220 W	200-240 V AC 50/60 Hz	33000lm	40°	497,5 x 392,5 x 58,8 mm	5 kg
ANW-220SM-00452-750-9004	220 W	200-240 V AC 50/60 Hz	33000lm	45°	497,5 x 392,5 x 58,8 mm	5 kg
ANW-220SM-00602-750-9004	220 W	200-240 V AC 50/60 Hz	33000lm	60°	497,5 x 392,5 x 58,8 mm	5 kg
ANW-220SM-00902-750-9004	220 W	200-240 V AC 50/60 Hz	33000lm	90°	497,5 x 392,5 x 58,8 mm	5 kg
ANW-220SM-01202-750-9004	220 W	200-240 V AC 50/60 Hz	33000lm	120°	497,5 x 392,5 x 58,8 mm	5 kg