

# MEISSA STREET LIGHTING FIXTURE



## General Application Areas



City Lighting



Sea Ports and Parking lot

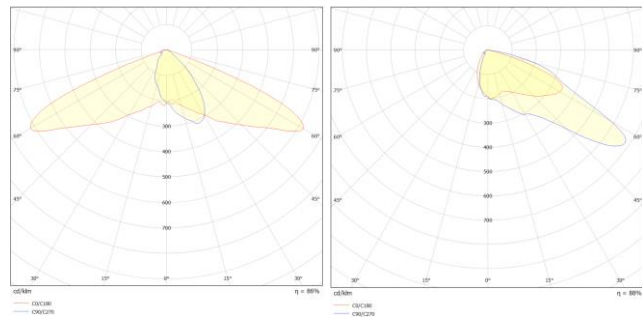
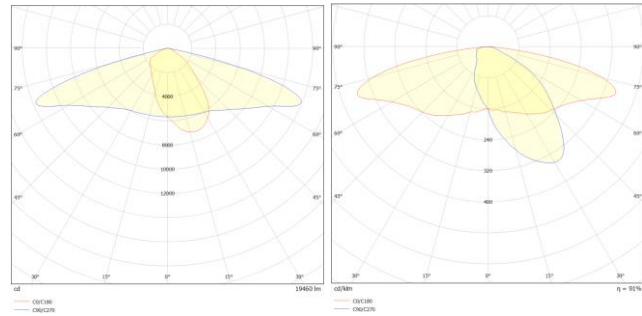


Parks



Environment and Safety Lighting

## Optical Beam Angles



## General Information

Lighting systems equipped with LED light sources used for lighting roads and streets are called "Road & Street Luminaires" or "LED Street Lighting Luminaires". Road & Street lighting fixtures can be used in city lighting, intercity roads, environmental and security lighting, ports and open parking lots. Since LED Street lighting fixtures are used in outdoor conditions, they must have a minimum protection class of IP66. Street lighting must comply with the international EN-60598-2-3 standard and this compliance must be certified. Asymmetric lens options with different light distribution for different road types and classes (M2...M5).

# MEISSA STREET LIGHTING FIXTURE

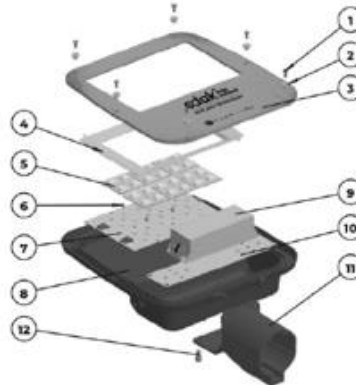
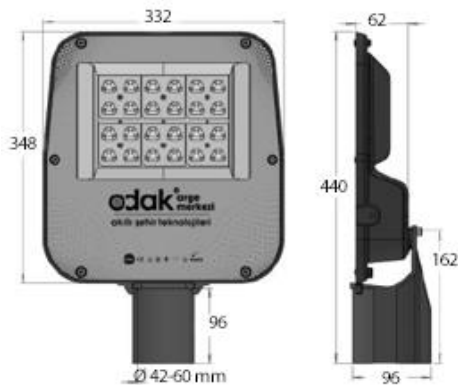
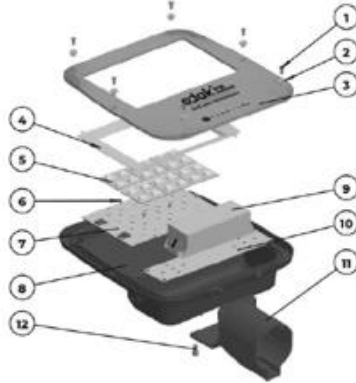
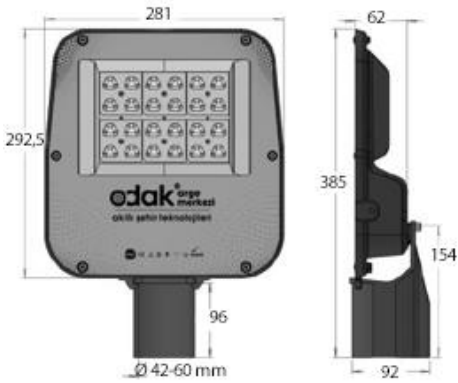
## Technical Specifications

Body	:Aluminum Injection
IP Protection Class	:IP 66
Luminous Flux	:7920 lm
Light Source	:LED
Test Standards	:TS EN 60598-1, TS EN 60598-2-3, TS EN 62031,TS IEC TR 62471,TS EN 60529, TS EN 62262,TS EN 62722-2-1

## Optical and Electrical Properties

Power	60W	Light Angle	Asymmetric
CE Marking	Yes	Power Factor	>0,9
Optic	PMMA / PC	Max Voltage Withstand	1kV - 4kV (10kV Optional)
Effectiveness Factor	126 ∞138 lm/W	CCT	2200K/3000K/4000K/5000 K/6500K
Input Voltage	50/60 HZ	CRI	>70
Total Harmonic Distortion	<%20	Operating Temperature	-25°C / +55°C
Dimensions	281*385*92 mm	LED Lifetime	60.000 Hours

## Technical Drawing (Side View) and Connection Diagram



NO	TANIM / DESCRIPTION
1	CAM VIDA / GLASS SCREW
2	VIDA PUL / SCREW WASHER
3	EKSTRA TEMİZ CAM / EKSTRA CLEAR GLASS
4	REFLEKTÖR / REFLECTOR
5	REFLEKTÖR VIDA / REFLECTOR SCREW
6	PCB VIDASI / PCB SCREW
7	OPTİK LENS / OPTIC LENS
8	LED MODUL / LED MODULE
9	ALU. ENJ. GÖVDE / ALU. INJ. BODY
10	LED SÜRÜCÜ / LED DRIVER
11	SÜRÜCÜ PLAKA / DRIVER PLATE
12	MONTAJ KONSOL / MOUNTED CONSOLE
13	KONSOL VIDA / CONSOLE SCREW

# MEISSA STREET LIGHTING FIXTURE

## Product Variations

Product Code	Power	Input Voltage	Effectiveness Factor	Luminous Flux	CCT	Light Angle	Dimensions	Weight
MSA-020DM-ASY12-740-9005	20 W	220-240 VAC 50~60 HZ	144	2880 lm	4000K	Asymetric	281*385*92 mm	3,0 kg
MSA-030DM-ASY12-740-9005	30 W	220-240 VAC 50~60 HZ	132	3960 lm	4000K	Asymetric	281*385*92 mm	3,0 kg
MSA-032DM-ASY12-740-9005	32 W	220-240 VAC 50~60 HZ	132	4272 lm	4000K	Asymetric	281*385*92 mm	3,0 kg
MSA-040DM-ASY12-740-9005	40 W	220-240 VAC 50~60 HZ	132	5280 lm	4000K	Asymetric	281*385*92 mm	3,0 kg
MSA-041DM-ASY12-740-9005	41 W	220-240 VAC 50~60 HZ	131	5541 lm	4000K	Asymetric	281*385*92 mm	3,0 kg
MSA-050DM-ASY12-740-9005	50 W	220-240 VAC 50~60 HZ	132	6600 lm	4000K	Asymetric	281*385*92 mm	3,0 kg
MSA-051DM-ASY12-740-9005	51 W	220-240 VAC 50~60 HZ	131	6669 lm	4000K	Asymetric	281*385*92 mm	3,0 kg
MSA-060DM-ASY12-740-9005	60 W	220-240 VAC 50~60 HZ	132	7920 lm	4000K	Asymetric	281*385*92 mm	3,0 kg
MSA-070DM-ASY12-740-9005	70 W	220-240 VAC 50~60 HZ	128	9025 lm	4000K	Asymetric	281*385*92 mm	3,0 kg
MSA-080DM-ASY12-740-9005	80 W	220-240 VAC 50~60 HZ	132	10560 lm	4000K	Asymetric	281*385*92 mm	3,0 kg
MSA-091DM-ASY12-740-9005	91 W	220-240 VAC 50~60 HZ	138	12661 lm	4000K	Asymetric	332*440*96 mm	4,6 kg
MSA-100DM-ASY12-740-9005	100 W	220-240 VAC 50~60 HZ	132	13200 lm	4000K	Asymetric	332*440*96 mm	4,6 kg
MSA-102DM-ASY12-740-9005	102 W	220-240 VAC 50~60 HZ	135	13895 lm	4000K	Asymetric	332*440*96 mm	4,6 kg
MSA-113DM-ASY12-740-9005	113 W	220-240 VAC 50~60 HZ	134	15152 lm	4000K	Asymetric	332*440*96 mm	4,6 kg
MSA-120DM-ASY12-740-9005	120 W	220-240 VAC 50~60 HZ	132	15840 lm	4000K	Asymetric	332*440*96 mm	4,6 kg
MSA-122DM-ASY12-740-9005	122 W	220-240 VAC 50~60 HZ	131	16041 lm	4000K	Asymetric	332*440*96 mm	4,6 kg
MSA-132DM-ASY12-740-9005	132 W	220-240 VAC 50~60 HZ	129	17138 lm	4000K	Asymetric	332*440*96 mm	4,6 kg
MSA-139DM-ASY12-740-9005	139 W	220-240 VAC 50~60 HZ	128	17861 lm	4000K	Asymetric	332*440*96 mm	4,6 kg
MSA-150DM-ASY12-740-9005	150 W	220-240 VAC 50~60 HZ	132	19800 lm	4000K	Asymetric	332*440*96 mm	4,6 kg
MSA-152DM-ASY12-740-9005	152 W	220-240 VAC 50~60 HZ	126	19342 lm	4000K	Asymetric	332*440*96 mm	4,6 kg