





## General Information

- Single or double face
- Aluminum anodized body
- Polycarbonate side cover and hanger bracket
- SMD LED application
- Battery charge indicator with green LED
- Emergency test button
- High temperature resistant, industrial grade Ni-Cd battery
- Battery overcharge and discharge protection
- Screen printed transparent plexiglass
- Side illuminated
- Possibility of ceiling, wall or suspended ceiling mounting
- Optional 110 VAC compatibility
- Optional metal hanger or hook options



## Control Panel

<b>State</b>		: Charging LED. Indicates the battery charge status.
<b>Test</b>		: Test button. Allows emergency testing of the product without disconnecting from the mains.

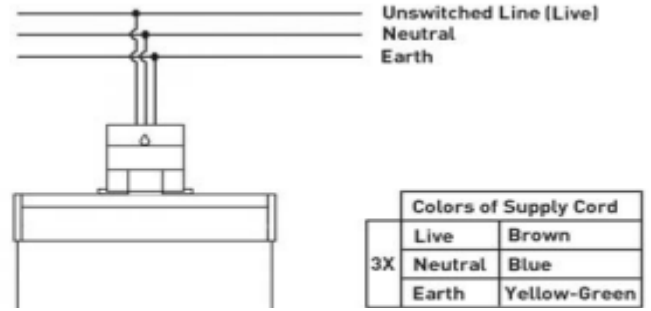
## Teknik Değerler

Supply Voltage	: 230 VAC 50/60 Hz
Power	: 4,87 W
Power Factor (PF)	: 0.61
Ambient Temperature (ta)	: 0 °C ... +40 °C
Rated Duration	: 3 hours
Battery Charging Time	: 24 hours
Battery Type	: 3,6 V Ni-Cd
Sign Dimensions	: 122 x 253 mm
Viewing Distance	: 20 m
Protection Class	: IP 20
Insulation Class	: I
Surface Mounted Box Size (mm)	: 40 x 274 x 195
Recessed Box Size(mm)	: 102 x 342 x 195

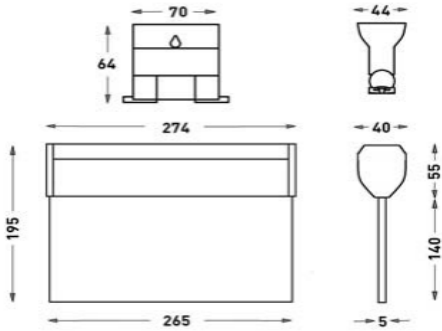
## Flush Mounting Dimension



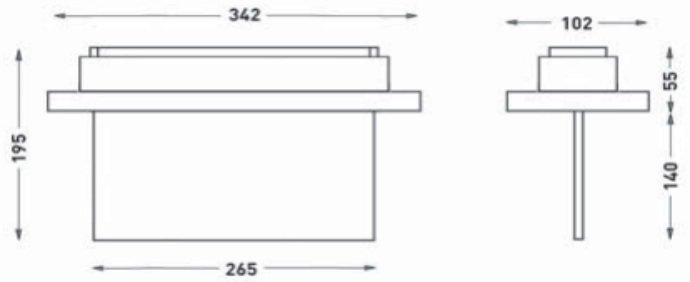
## Network Connection



## Technical Drawing / Surface Mounted



## Technical Drawing / Under Plaster



## Ürün Listesi

Product Code	Emergency Grid Drawn Burn Time	Power	Power Factor(PF)	Operation Mode	Light Source	Routing Type	Mounting Method	Weight (kg)	Dimension (mm)
ALC-005SM-01201-865-00CE	3 hours	4,87	0,61	Continuous	8 x SMD LED	Double Faced	Surface Mounted	0,665	40 x 274 x 195
ALC-005SMAH-01201-865-00CE	3 hours	4,87	0,61	Continuous	8 x SMD LED	Double Faced	Surface Mounted - Adjustable Hanging Wire (50cm)	0,885	40 x 274 x 195
ALC-005HM-01201-865-00CE	3 hours	4,87	0,61	Continuous	8 x SMD LED	Double Faced	Surface Mounted - Chain (100cm)	0,745	40 x 274 x 195
ALC-005RM-01201-865-00CE	3 hours	4,87	0,61	Continuous	8 x SMD LED	Double Faced	Under Plaster	1,220	102 x 342 x 195