

SKYSTAR STREET LIGHTING FIXTURE



General Application Areas

Optical Beam Angle



City Lighting



Ports and Parking Lots



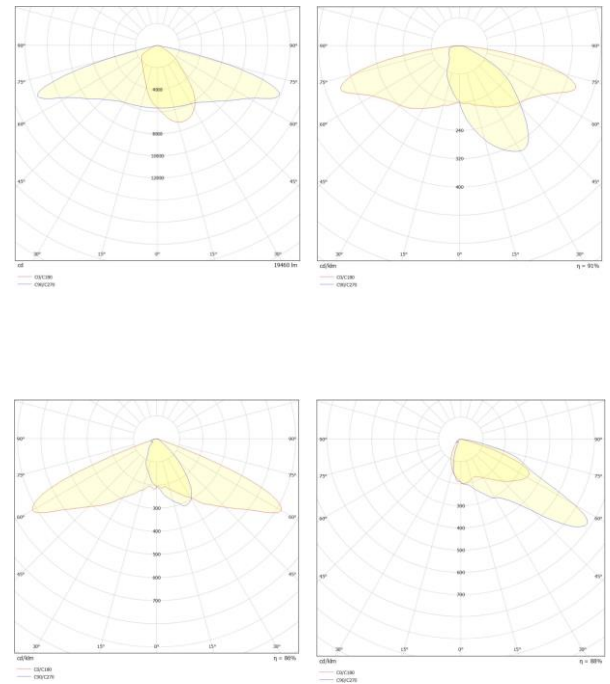
National Gardens



Perimeter and Safety Lighting

General Information

Lighting elements equipped with LED light source used for illuminating roads and streets are called LED Street Luminaire or LED Street Lighting Luminaire. LED street lighting fixtures can be used in urban lighting, intercity roads, environmental and security lighting, ports and open parking lots. LED street lighting fixtures must have a minimum protection class of IP66 since they are used in outdoor conditions. Street lightings must comply with EN-60598-2-3 international standards and this conformity must be documented. Changing road types and classes Asymmetric lens options with different light distribution for (M1...M6)



Standard Product Features

Body	: Corrosion Resistant. High pressure Aluminum Injection
Refractor	: High transmittance min. 4mm tempered glass UV resistant (optional)
IP Protection Class	: IP66
Mounting Method	: Direct Cantilever Mounting (Mounting Diameter $\Phi = 50 / 60$ mm)
Light Source	: LED
Optics	: PMMA Or PC
Test Standards	: TS EN 60598-1, TS EN 60598-2-3, TS EN 62031, TS IEC TR 62471, TS EN 60529, TS EN 62262, TS EN 62722-2-1

SKYSTAR STREET LIGHTING FIXTURE

Features & Variations

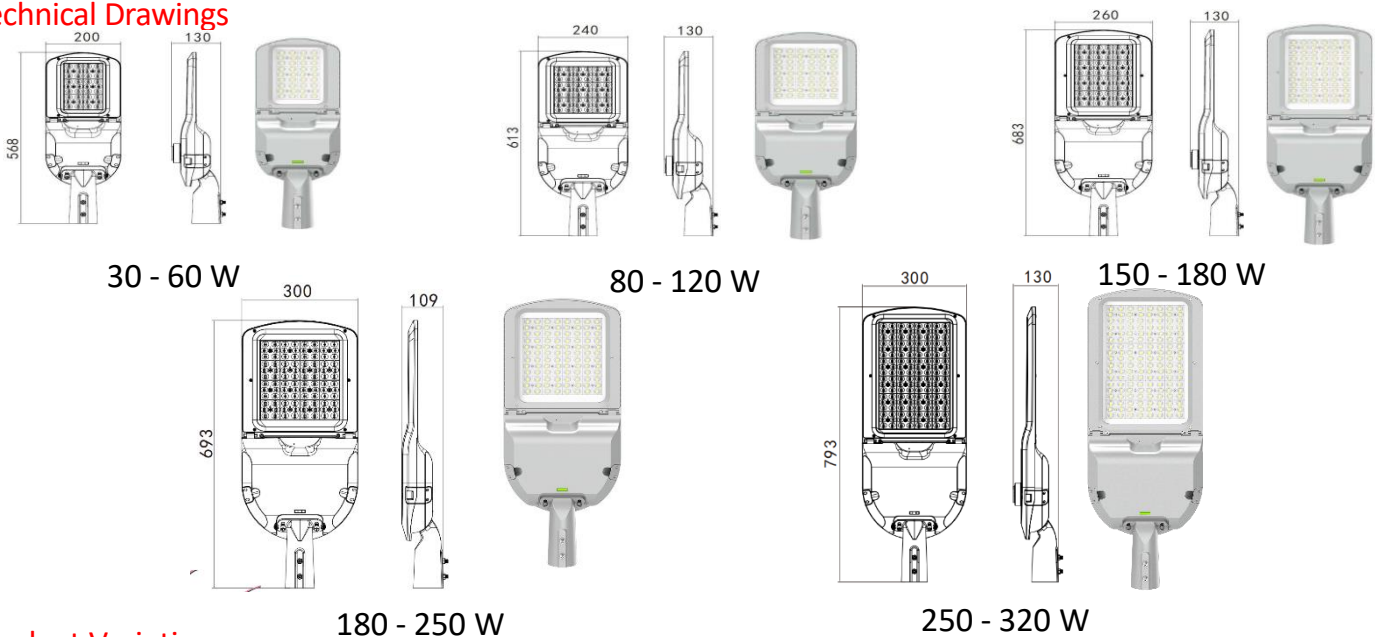
Optical and Electrical Properties

Consumption Power	: 120W
Total Lumens	: 18000 lm
Optic	: Asymmetric
Effectiveness Factor	: 150+ lm/W
Input Voltage	: 220-240 VAC
Input Frequency	: 50-60 Hz
Power Factor	: > 0,9
Max Voltage Withstand	: 6 kV - 10kV (Optional)
Color Temperature(CCT)	: 2200K / 3000K / 4000K / 5000K / 6500K
CRI	: >70

Other Features

Operating Temperature	: -25°C / +55°C
Impact Resistance Class	: IK 08 - IK 10 (Optional)
LED Lifetime - L70	: 60.000 Hours
Rakor	: IP66, Plastic PG9, IP67 (Optional), IP68 (Optional)
Automation Compatibility	: DALI, 1-10V, TRIAC
Nema Socket	: 3P – (On-Off) / 5P – (1-10V) / 7P – (1-10V + Dali)

Technical Drawings

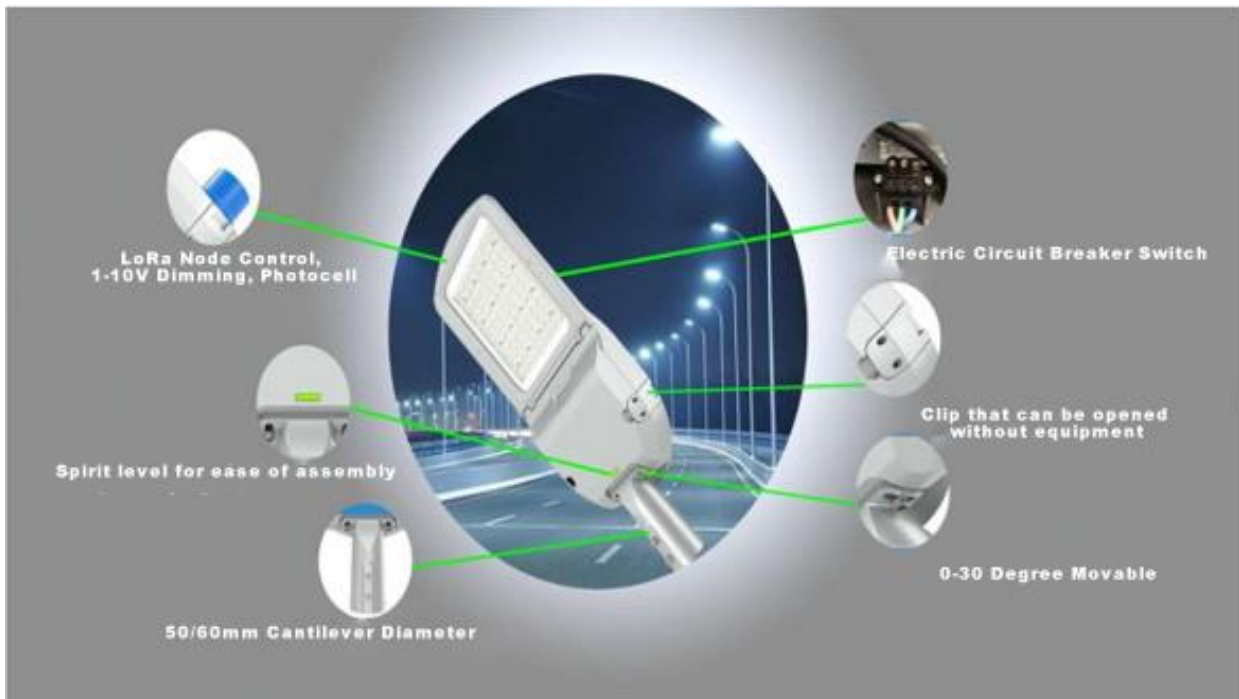


Product Variations

Product Code	Power	Input Voltage	Luminous Flux	Dimensions	Light Angle	Weight
SLS-030SM-ASY12-850-7016	30 W	220-240 VAC 50-60 HZ	4500 lm	568*200*130 mm	Asymmetric	5,5 kg
SLS-050SM-ASY12-850-7016	50 W	220-240 VAC 50-60 HZ	7500 lm	568*200*130 mm	Asymmetric	5,5 kg
SLS-060SM-ASY12-850-7016	60 W	220-240 VAC 50-60 HZ	9000 lm	568*200*130 mm	Asymmetric	5,5 kg
SLS-080SM-ASY12-850-7016	80 W	220-240 VAC 50-60 HZ	12000 lm	613*240*130 mm	Asymmetric	6,5 kg
SLS-100SM-ASY12-850-7016	100 W	220-240 VAC 50-60 HZ	15000 lm	613*240*170 mm	Asymmetric	6,5 kg
SLS-120SM-ASY12-850-7016	120 W	220-240 VAC 50-60 HZ	18000 lm	613*240*130 mm	Asymmetric	6,5 kg
SLS-150SM-ASY12-850-7016	150 W	220-240 VAC 50-60 HZ	22500 lm	683*260*170 mm	Asymmetric	7,5 kg
SLS-180SM-ASY12-850-7016	180 W	220-240 VAC 50-60 HZ	27000 lm	683*260*130 mm	Asymmetric	7,5 kg
SLS-250SM-ASY12-850-7016	250 W	220-240 VAC 50-60 HZ	32500 lm	693*300*109 mm	Asymmetric	8 kg
SLS-320SM-ASY12-850-7016	320 W	220-240 VAC 50-60 HZ	41600 lm	793*260*130 mm	Asymmetric	8,5 kg

SKYSTAR STREET LIGHTING FIXTURE

Installation Instruction



1

- As shown in the figure, the Clips on the side surfaces of the armature are opened.



2

- After the clips are opened, they will lift up as shown in the figure.



3

- The cover is opened by holding the joint as shown in the figure.



4

- LED Driver, Nema socket is positioned inside the luminaire. Cable connections are easily accessible.



5

- In case of LED Driver failure, the driver can be easily intervened by removing the driver.



6

- The lid is closed by grasping the joint as shown in the figure and the product is closed by placing the clips in place.

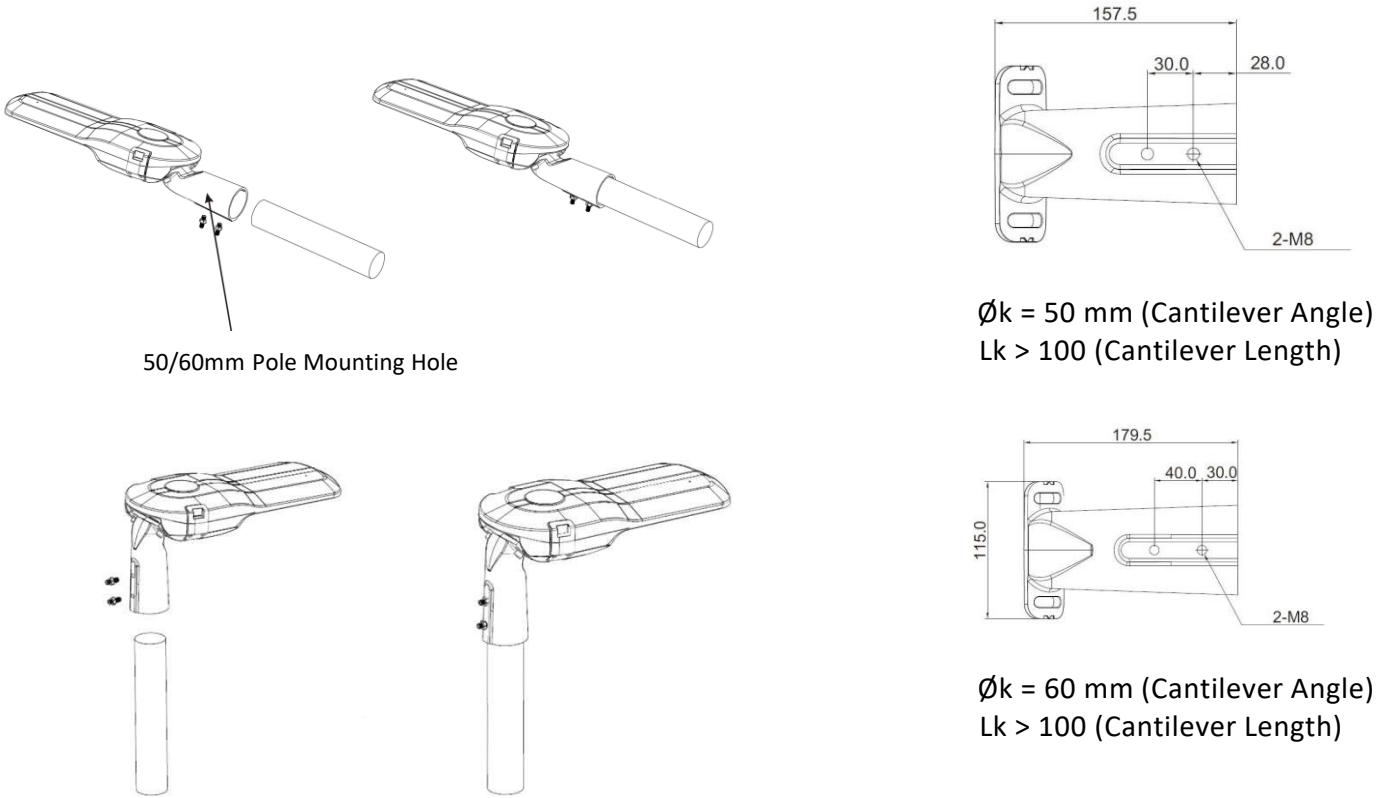


Figure 1. Direct Console Mounting Instructions

Assembly Instructions		TS EN 40-2	
		Mounting Dimensions	Tolerance
For Console Connection	Øk	42 ≤ Øk ≤ 60	ISO 4200-1991
	Lk	<100	±2

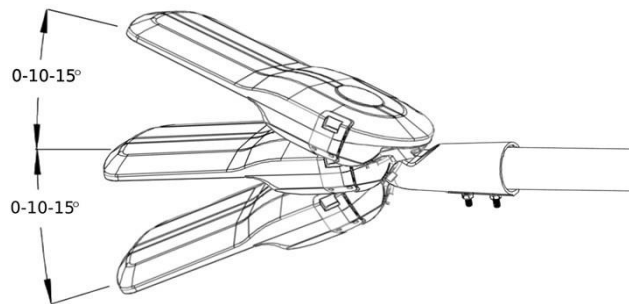


Figure 2. Moving Body +/- 15°