

# CAPELLA High Bay Luminaire 72W/96W/128W

**odak**® R&D  
CENTER  
smart city technologies



## General Application Areas



Factories



Warehouses



Sports Halls



Aircraft  
Hangars

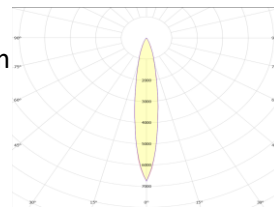


Airports

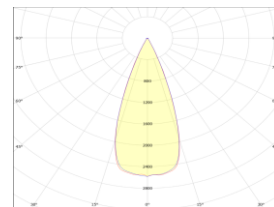
## General Information

Capella High Bay LED Luminaire is designed to replace point light sources such as metal halide, sodium vapor, especially in industrial plants, warehouses and sports facilities with ceiling heights from 7m to 25 meters. Capella is one of the brightest stars in the night sky. Capella series luminaires, like the Capella star, are designed with well-selected components that will provide 365 days of uninterrupted and quality light, maintenance-free and easy assembly mechanical structure and long life in your facilities. With a high degree of mechanical protection (IK08), water and dust protection (IP66) and proven chemical resistance, Capella can perfectly withstand the harsh conditions of industries. It is a very robust, compact and reliable luminaire with excellent light quality. It has 18°, 25°, 40°, 60° and asymmetric light distribution options to meet the lighting needs of factories. With Capella series luminaires, you can replace your existing luminaires to fully meet the criteria of efficiency, energy saving and improved light management. At the same time, you can integrate it into your Industry 4.0 works with 1-10V, DALI and KNX automation control possibilities.

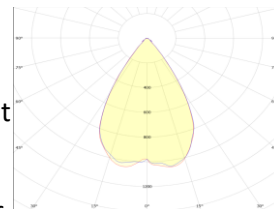
## Optical Beam Angles



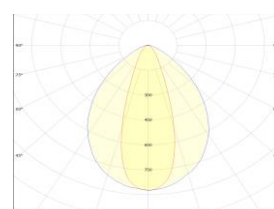
18°



40°



60°



25°-65°

# CAPELLA High Bay Luminaire

## 72W/96W/128W

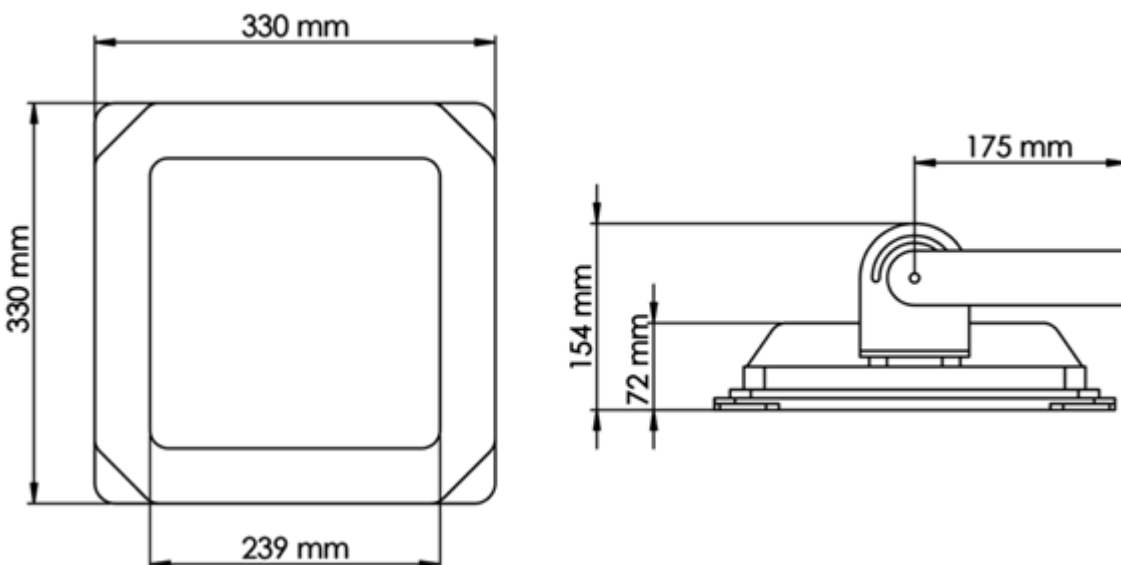
### Technical Specifications

<b>Power</b>	:72W ,96W, 128W
<b>Input Voltage</b>	:200-240 V AC 50/60 HZ
<b>Power Factor</b>	:>0,9
<b>Effectiveness Factor</b>	:132+lm/W
<b>Luminous Flux</b>	:16896lm
<b>Light Angle</b>	:18°/40°/60°/25-65°
<b>Color Temperature (CCT)</b>	:3000K /4000K/5000K/ 6500K
<b>Color Rendering Index (CRI)</b>	:80+
<b>IP Protection Class</b>	:IP 66 / IP67 (Optional)
<b>Dimensions</b>	:330x330x154 mm / 1200x115x85 mm
<b>Weight</b>	:7,9 kg
<b>Warranty Period</b>	:5 Years

### Optical and Electrical Properties

<b>Body</b>	Aluminum Extrusion	<b>CE Marking</b>	Yes
<b>Color Options</b>	Black, Gray	<b>RoHS Compliance</b>	Yes
<b>Front Cover</b>	Tempered Glass	<b>Lifetime</b>	≥60.000 Hours
<b>Lens</b>	PMMA	<b>Throttling Options</b>	1-10V, TRIAC, DALI
<b>Light Source</b>	LED	<b>Operating Temperature</b>	-25°/+55°C
<b>Impact Resistance</b>	IK 08- IK 10 (Optional)	<b>Total Harmonic Distortion</b>	<%20

### Technical Drawing and Connection Diagram



# CAPELLA High Bay Luminaire

## 72W/96W/128W

### Product Variations

Product Code	Power	Input Voltage	Luminous Flux	Light Angle	Dimensions	Weight
CPL-072SM-00601-865-7016	72W	200-240 V AC 50/60 Hz	9504 lm	60°	330x330x154 mm	7,9 kg
CPL-096SM-00601-865-7016	96W	200-240 V AC 50/60 Hz	12672 lm	60°	330x330x154 mm	7,9 kg
CPL-128SM-00601-865-7016	128W	200-240 V AC 50/60 Hz	16896 lm	60°	330x330x154 mm	7,9 kg
CPL-072SM-00401-865-7016	72W	200-240 V AC 50/60 Hz	9028 lm	40°	330x330x154 mm	7,9 kg
CPL-072SM-00401-865-7016	96W	200-240 V AC 50/60 Hz	12038 lm	40°	330x330x154 mm	7,9 kg
CPL-128SM-00401-865-7016	128W	200-240 V AC 50/60 Hz	16051 lm	40°	330x330x154 mm	7,9 kg