

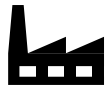
Alya Market Lighting Fixture 78W



General Application Areas



Markets



Factories



Sports Halls

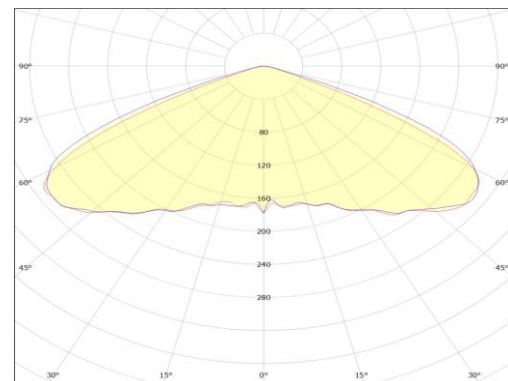


Airports



Office

Optical Beam Angles



110°

Information

Alya Series Linear Lighting Fixture is designed to replace traditional products with fluorescent light source, especially in grocery stores, industrial plants, warehouses and sports facilities with ceiling heights from 2.5m to 6 meters.

LED light source food lighting fixtures showcase your products at their best by highlighting their colors and textures to make them look fresh, tasty and attractive. It has been determined that UV or color enhancing filters are not effective in preventing food from changing color, but our fixtures designed with LED technology display your food in the most effective way without exposure to UV or infrared rays. By appealing to your customers' visual perception, you can preserve the freshness of your products and increase your sales.

The better your food looks, the fresher, tastier, more attractive and appetizing it is perceived. Our led food lighting fixtures show your product with the best color rendering ratio. It allows you to present it in a way that you can almost taste it by highlighting its colors and textures. In this way, by appealing to the visual perception of your customers, you can enable your customers to buy even the products that are not on their list and increase your turnover.



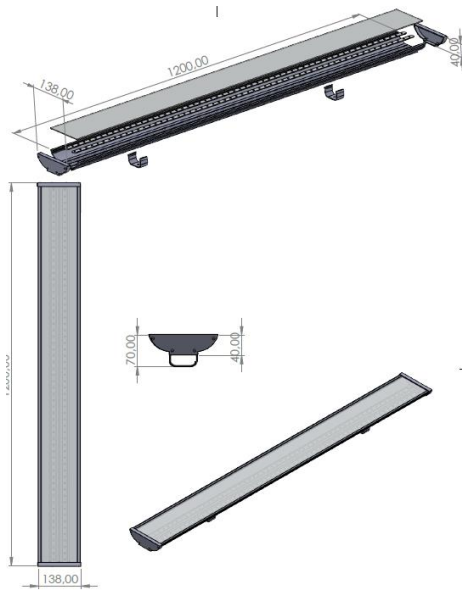
Technical Specifications

| | |
|----------------------------|--|
| Body | :Aluminum Extrusion |
| IP Protection Class | :IP 40 |
| Luminous Flux | :8112 lm |
| Light Source | :LED |
| Test Standards | :TS EN 60598TS, EN 60529, TS EN 62031TS, EN 62262, TS IEC TR 62471TS, EN 62722-2-1 |

Optical and Electrical Properties

| | | | |
|----------------------------------|-----------------------|------------------------------|-----------------------|
| Power | 78W | Light Angle | 110° |
| CE Marks | Yes | Power Factor | >0,9 |
| Optic | PMMA / PC | Max Voltage Withstand | 2kV |
| Effectiveness Factor | 104 lm/W | Color Temperature | 3000K/4000K/6500K |
| Input Voltage | 200-240 V AC 50/60 HZ | CRI | >80 |
| Total Harmonic Distortion | <%15 | Input Voltage | 200-240 V AC 50/60 HZ |
| Dimensions | 1200X138X70mm | Weight | 1690 gr |

Technical Drawing (Side View) and Connection Diagram



Product Variations

| Product Code | Power | Input Voltage | CCT | Efficiency Factor lm | Luminous Flux | Light Angle | Dimensions | Weight (gr) | Body Color | Mounting Type |
|--------------------------|-------|-----------------------|-------|----------------------|---------------|-------------|---------------|-------------|------------|------------------------------|
| ALY-043CT-01101-865-00CE | 43W | 200-240 V AC 50/60 Hz | 6500K | 116 | 4988lm | 110° | 1200X138X70mm | 1690 | Anodizing | Surface Mounted / Cable Tray |
| ALY-054CT-01101-865-00CE | 54W | 200-240 V AC 50/60 Hz | 6500K | 112 | 6048lm | 110° | 1200X138X70mm | 1690 | Anodizing | Surface Mounted / Cable Tray |
| ALY-066CT-01101-865-00CE | 66W | 200-240 V AC 50/60 Hz | 6500K | 108 | 7128lm | 110° | 1200X138X70mm | 1690 | Anodizing | Surface Mounted / Cable Tray |
| ALY-078CT-01101-865-00CE | 78W | 200-240 V AC 50/60 Hz | 6500K | 104 | 8112lm | 110° | 1200X138X70mm | 1690 | Anodizing | Surface Mounted / Cable Tray |
| ALY-043CT-01101-840-00CE | 43W | 200-240 V AC 50/60 Hz | 6500K | 116 | 4988lm | 110° | 1200X138X70mm | 1690 | Anodizing | Surface Mounted / Cable Tray |
| ALY-054CT-01101-840-00CE | 54W | 200-240 V AC 50/60 Hz | 6500K | 112 | 6048lm | 110° | 1200X138X70mm | 1690 | Anodizing | Surface Mounted / Cable Tray |
| ALY-066CT-01101-840-00CE | 66W | 200-240 V AC 50/60 Hz | 6500K | 108 | 7128lm | 110° | 1200X138X70mm | 1690 | Anodizing | Surface Mounted / Cable Tray |
| ALY-078CT-01101-840-00CE | 78W | 200-240 V AC 50/60 Hz | 6500K | 104 | 8112lm | 110° | 1200X138X70mm | 1690 | Anodizing | Surface Mounted / Cable Tray |