

# Alya Market Lighting Fixture 21W



## General Application Areas



Markets



Factories



Sports Halls

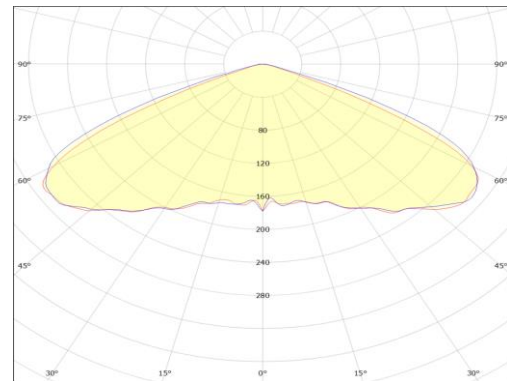


Airports



Office

## Optical Beam Angles



110°

## Information

Alya Series Market Lighting Fixture is designed to replace traditional products with fluorescent light source, especially in markets, industrial plants, warehouses and sports facilities with ceiling heights from 2.5m to 6 meters.

LED light source food lighting fixtures showcase your products at their best by highlighting their colors and textures to make them look fresh, tasty and attractive. It has been determined that UV or color enhancing filters are not effective in preventing food from changing color, but our fixtures designed with LED technology display your food in the most effective way without exposure to UV or infrared rays. By appealing to your customers' visual perception, you can preserve the freshness of your products and increase your sales.

The better your food looks, the fresher, tastier, more attractive and appetizing it is perceived. Our led food lighting fixtures show your product with the best color rendering ratio. It allows you to present it in a way that you can almost taste it by highlighting its colors and textures. In this way, by appealing to the visual perception of your customers, you can enable your customers to buy even the products that are not on their list and increase your turnover.



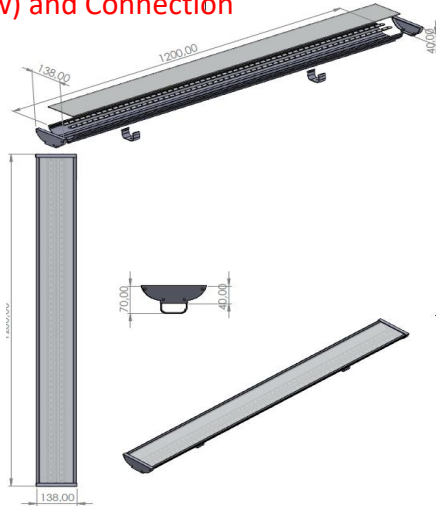
## Technical Specifications

<b>Body</b>	:Aluminum Extrusion
<b>IP Protection Class</b>	:IP 40
<b>Luminous Flux</b>	:2463 lm
<b>Light Source</b>	:LED
<b>Test Standards</b>	:TS EN 60598TS, EN 60529, TS EN 62031TS, EN 62262, TS IEC TR 62471TS, EN 62722-2-1

## Optical and Electrical Properties

<b>Power</b>	21W	<b>Light Angle</b>	110°
<b>CE Marks</b>	Yes	<b>Power Factor</b>	>0,9
<b>Optic</b>	PMMA / PC	<b>Max Voltage Withstand</b>	2kV
<b>Effectiveness Factor</b>	116 lm/W	<b>Color Temperature</b>	3000K/4000K/6500K
<b>Input Voltage</b>	200-240 V AC 50/60 HZ	<b>CRI</b>	>80
<b>Total Harmonic Distortion</b>	<%15	<b>Input Voltage</b>	200-240 V AC 50/60 HZ
<b>Dimensions</b>	1200X138X70mm	<b>Weight</b>	1690 gr

## Technical Drawing (Side View) and Connection Diagram



## Product Variations

Product Code	Power	Input Voltage	CCT	Efficiency Factor lm	Luminous Flux	Light Angle	Dimensions	Weight (gr)	Body Color	Mounting Type
ALY-021CT-01101-865-00CE	21W	200-240 V AC 50/60 Hz	6500K	116	2436lm	110°	1200X138X70mm	1690	Anodizing	Surface Mounted / Cable Tray
ALY-027CT-01101-865-00CE	27W	200-240 V AC 50/60 Hz	6500K	112	3024lm	110°	1200X138X70mm	1690	Anodizing	Surface Mounted / Cable Tray
ALY-033CT-01101-865-00CE	33W	200-240 V AC 50/60 Hz	6500K	108	3564lm	110°	1200X138X70mm	1690	Anodizing	Surface Mounted / Cable Tray
ALY-039CT-01101-865-00CE	39W	200-240 V AC 50/60 Hz	6500K	104	4056lm	110°	1200X138X70mm	1690	Anodizing	Surface Mounted / Cable Tray
ALY-021CT-01101-840-00CE	21W	200-240 V AC 50/60 Hz	6500K	116	2436lm	110°	1200X138X70mm	1690	Anodizing	Surface Mounted / Cable Tray
ALY-027CT-01101-840-00CE	27W	200-240 V AC 50/60 Hz	6500K	112	3024lm	110°	1200X138X70mm	1690	Anodizing	Surface Mounted / Cable Tray
ALY-033CT-01101-840-00CE	33W	200-240 V AC 50/60 Hz	6500K	108	3564lm	110°	1200X138X70mm	1690	Anodizing	Surface Mounted / Cable Tray
ALY-039CT-01101-840-00CE	39W	200-240 V AC 50/60 Hz	6500K	104	4056lm	110°	1200X138X70mm	1690	Anodizing	Surface Mounted / Cable Tray