

ALSHAIN Low Ceiling Luminaire 96W/106W



General Application Areas



Factories



Warehouses



Sports Halls



Aircraft
Hangars



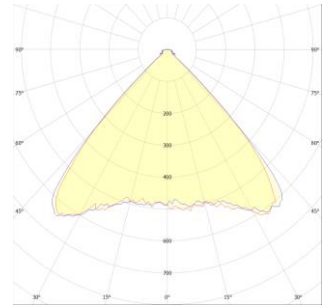
Airports

General Information

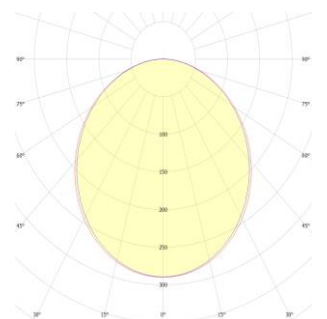
Low Ceiling LED Luminaire is a high power luminaire with various lenses designed for use in industrial facilities, warehouses and sports facilities with ceiling heights up to 6m.

LED modules with high energy efficiency are used in luminaires with a compact chassis structure. It has 90°, 110° options for different applications. It is also classified according to energy consumption. Design and production can be made by determining different light and power values according to the ceiling height of the area to be illuminated.

Optik Demet Açılı



90°



110°

ALSHAIN Low Ceiling Luminaire 96W/106W

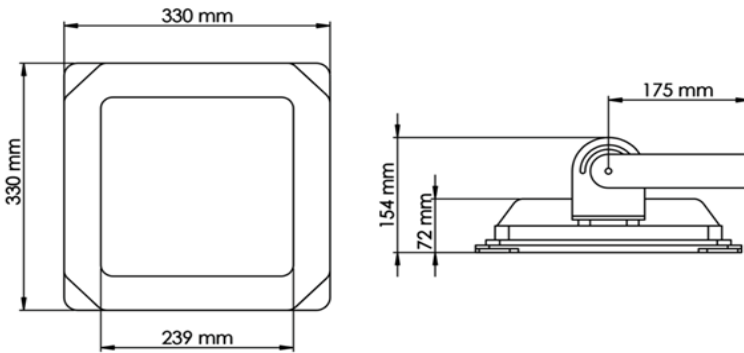
Technical Specifications

Power	:96W/106W
Input Voltage	:200-240 V AC 50/60 HZ
Power Factor	:>0,9
Effectiveness Factor	:132+lm/W
Luminous Flux	:12672lm
Light Angle	:90°/110°
Color Temperature (CCT)	:3000K /4000K/5000K/ 6500K
Color Rendering Index (CRI)	:80+
IP Protection Class	:IP 66 / IP67 (Optional)
Dimensions	:330x330x154 mm
Weight	:7,9 kg
Garanti Süresi	:5 Years

Optical and Electrical Properties

Body	Aluminum Extrusion	CE Marking	Yes
Color Options	Black, Gray	RoHS Compliance	Yes
Front Cover	Tempered Glass	Lifetime	≥60.000 Hours
Lens	PMMA	Throttling Options	1-10V, TRIAC, DALI
Light Source	LED	Operating Temperature	-25°/+55°C
Darbe Dayanımı	IK 08- IK 10 (Optional)	Total Harmonic Distortion	<%20

Technical Drawing and Connection Diagram



ALSHAIN Low Ceiling Luminaire 96W/106W

Product Variations

Product Code	Power	Input Voltage	Luminous Flux	Light Angle	Dimensions	Weight
ALS-096SM-00901-865-7016	96W	200-240 V AC 50/60 Hz	12672 lm	90°	330x330x154 mm	7,9 kg
ALS-096CT-00901-865-7016	96W	200-240 V AC 50/60 Hz	12672 lm	90°	330x330x154 mm	7,9 kg
ALS-096BB-00901-865-7016	96W	200-240 V AC 50/60 Hz	12672 lm	90°	330x330x154 mm	7,9 kg
ALS-096SM-01101-865-7016	96W	200-240 V AC 50/60 Hz	12096 lm	110°	330x330x154 mm	7,9 kg
ALS-096CT-01101-865-7016	96W	200-240 V AC 50/60 Hz	12096 lm	110°	330x330x154 mm	7,9 kg
ALS-096BB-01101-865-7016	96W	200-240 V AC 50/60 Hz	12096 lm	110°	330x330x154 mm	7,9 kg
ALS-106SM-00901-865-7016	106W	200-240 V AC 50/60 Hz	13992 lm	90°	330x330x154 mm	7,9 kg
ALS-106CT-00901-865-7016	106W	200-240 V AC 50/60 Hz	13992 lm	90°	330x330x154 mm	7,9 kg
ALS-106BB-00901-865-7016	106W	200-240 V AC 50/60 Hz	13992 lm	90°	330x330x154 mm	7,9 kg
ALS-106SM-01101-865-7016	106W	200-240 V AC 50/60 Hz	13356 lm	110°	330x330x154 mm	7,9 kg
ALS-106CT-01101-865-7016	106W	200-240 V AC 50/60 Hz	13356 lm	110°	330x330x154 mm	7,9 kg
ALS-106BB-01101-865-7016	106W	200-240 V AC 50/60 Hz	13356 lm	110°	330x330x154 mm	7,9 kg