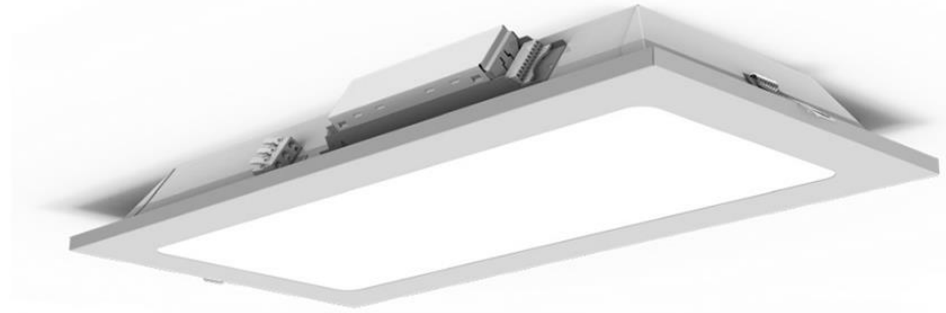
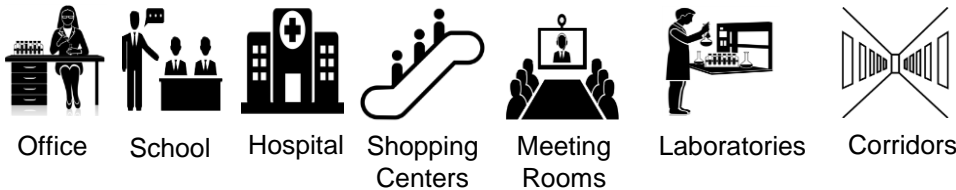


Rigel Drywall Ceiling Office Lighting Fixture



General Application Areas



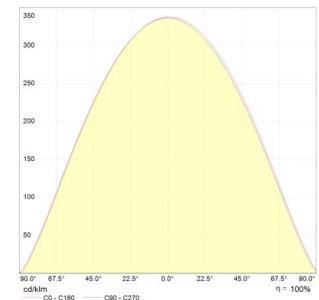
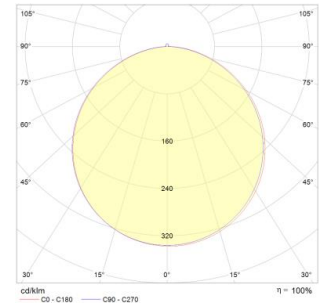
General Information

Rigel Office lighting fixtures are indispensable fixtures for general lighting areas of offices, public buildings, hospitals, schools. Rigel Office Lighting Fixtures provide a simple, stylish and homogeneous lighting to the spaces thanks to the diffuser that is resistant to UV radiation and has high light transmittance.

Opal PMMA Diffusers used have passed glow wire tests and meet the standards. Ral 9016 coded electrostatic powder coated body and frame are manufactured using 0.50mm DKP sheet metal. It is also used in decorative areas thanks to its special design frame models.

The luminaire, which is used as flush-mounted, is suitable for both rockwool and plasterboard ceiling installation. The luminaire body produced by plaster injection method offers a definitive solution to light leaks in your projects. Thanks to the quick cable connection, the luminaire does not need to be opened. This makes maintenance work very easy. The LEDs used in the luminaire are LM80 and TM21 certified and have a lifetime of over 50,000 hours. European origin drivers provide automatic temperature control and protection against voltage peaks. Optionally; DALI, corridor function, 1-10V dimming and emergency lighting kit application is available.

Optical Beam Angles



Highlights

How to use	: Under Plaster
Vault	: 0.50mm DKP Sheet
Diffuser	: High Transmittance PMMA or PC Opal Diffuser
Protection Class	: IP40
Impact Resistance	: IK02
Size	: 595x595x70
Led	: LM80, TM21, Mid Power LED with >60,000 Hours Lifetime
Driver	: ENEC, CE Certified Drive with 5 Years Warranty

Optical and Electrical Properties

Consumption Power	: 34 W	Input Frequency	: 50 ~ 60 Hz
Total Lumens	: 4054 LM ($\pm 5\%$)	Power Factor	: ≥ 0.9
Combined Flash Index (UGR)	: <20	Max Voltage Withstand	: 2kV
Effectiveness Factor	: 119 L/W	Color Temperature	: 4000K
Sistem Voltaj	: 200-240V AC	CRI	: 80 CRI
THD-(Total Harmonic Distortion)	: <20%		

Other Specifications

Operating Temperature	: -20° ~ +50°C	Driver Lifetime	: Ta=50°C 50,000 hours
Led Lifetime	: L70 > 60,000 hours		

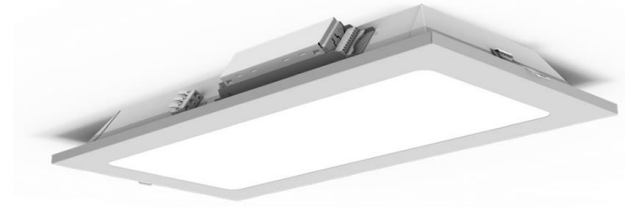
Optional Features

Color Temperature	: 2700K, 3000K, 5000K, 6500K	Automation/DIM Compatibility	: DALI, 1-10V, Phase Cut(Triac), DALI, KNX, Bluetooth
SOE Compatibility	: 1, 3 hours		

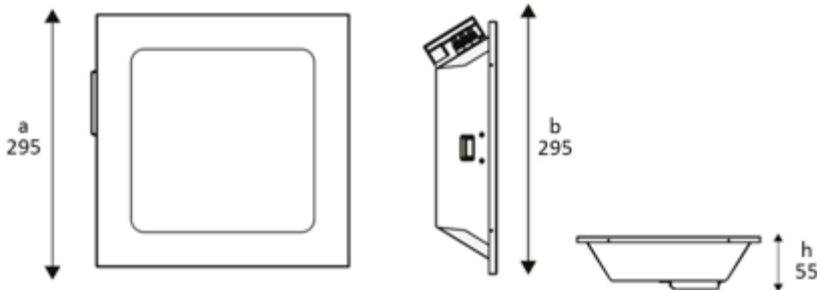
Rigel Drywall Ceiling Office Lighting Fixture

Product Variations

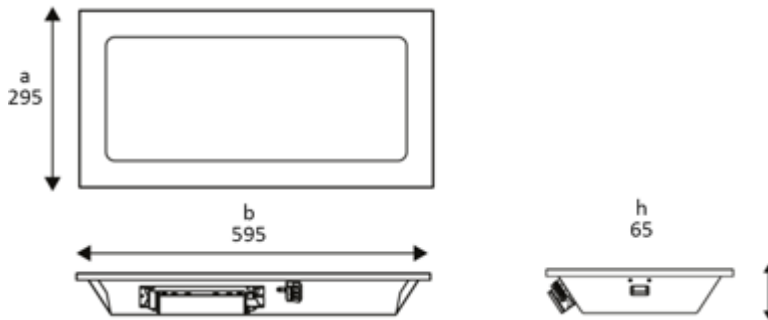
Product Code	Power	Power Factor	Light Color	CRI	Light Flux	Effectiveness Factor (l/w)	Dimensions
RGL-015RM-01101-840-9016	15 W	>0,95	4000K	>80	1497 lm	100	295*295*55 mm
RGL-023RM-01101-840-9016	23 W	>0,95	4000K	>80	2345 lm	102	295*595*65 mm
RGL-040RM-01101-840-9016	40 W	>0,95	4000K	>80	4105 lm	103	295*1195*65 mm
RGL-045RM-01101-840-9016	45W	>0,95	4000K	>80	4709 lm	105	295*1195*65 mm
RGL-034RM-01101-840-9016	34 W	>0,95	4000K	>80	4054 lm	119	595*595*65 mm
RGL-040RM-01101-840-9016	40 W	>0,95	4000K	>80	4402 lm	110	595*595*65 mm
RGL-044RM-01101-840-9016	44 W	>0,95	4000K	>80	4968 lm	113	595*595*65 mm
					7772 lm	123	595*1195*65 mm



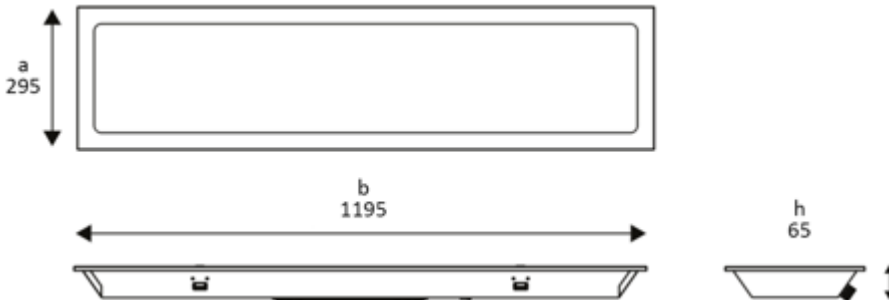
Technical Drawing (Side View) and Connection Diagram



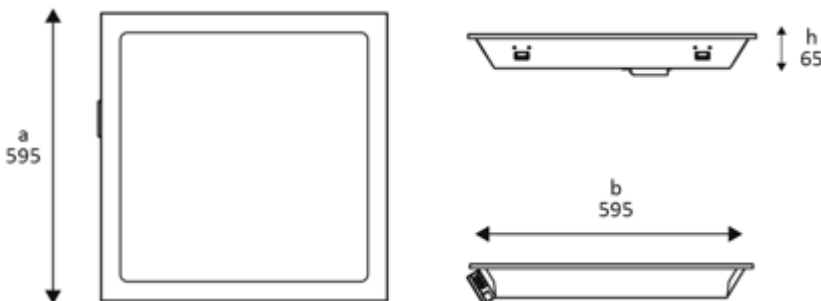
30X30
15W-23W
Cut Size
275x275mm



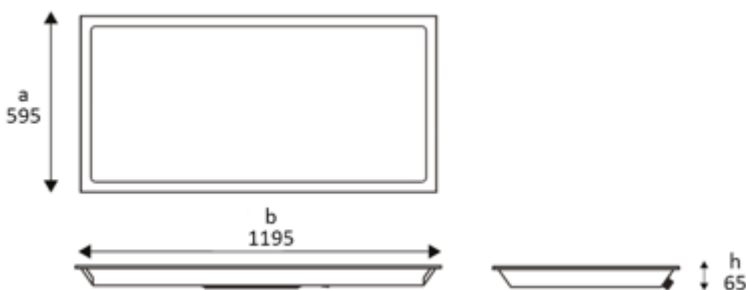
30X60
15W-23W
Cut Size
275x575



30X120
40W-45W
Cut Size
275x1175



60X60
34W-40W-44W
Cut Size
575x575



60X120
63W
Cut Size
575x1175

Shipment Information for Products

Product Code	Power	Product Weight (kg)	Boxed Product Weight (kg)	Volume (m3)	In Parcel Quantity	Boxed Product Dimensions (mm)
RGL-015RM-01101-840-9016	15 W	1,150	4,8	0,033201	4	620*315*170 mm
RGL-023RM-01101-840-9016	23 W	1,950	4,3	0,032147	2	620*315*170 mm
RGL-040RM-01101-840-9016	40 W	3,550	7	0,06403	2	310*1215*170 mm
RGL-045RM-01101-840-9016	45W	3,550	7	0,06403	2	310*1215*170mm
RGL-034RM-01101-840-9016	34 W	3,550	13,6	0,121086	4	610*625*310 mm
RGL-040RM-01101-840-9016	40 W	3,550	13,6	0,121086	4	610*625*310 mm
RGL-044RM-01101-840-9016	44 W	3,550	13,6	0,121086	4	610*625*310 mm
RGL-063RM-01101-840-9016	63 W	5,950	12,3	0,125995	2	620*1215*170 mm