





General Information

- Single or double face
- Aluminum anodized body
- Polycarbonate side cover and hanger bracket
- SMD LED application
- Battery charge indicator with green LED
- Emergency test button
- High temperature resistant, industrial grade Ni-Cd battery
- Battery overcharge and discharge protection
- Screen printed transparent plexiglass
- Side illuminated
- Possibility of ceiling, wall or suspended ceiling mounting
- Optional 110 VAC compatibility
- Optional metal hanger or hook options



Control Panel

State		: Charging LED. Indicates the battery charge status.
Test		: Test button. Allows emergency testing of the product without disconnecting from the mains.

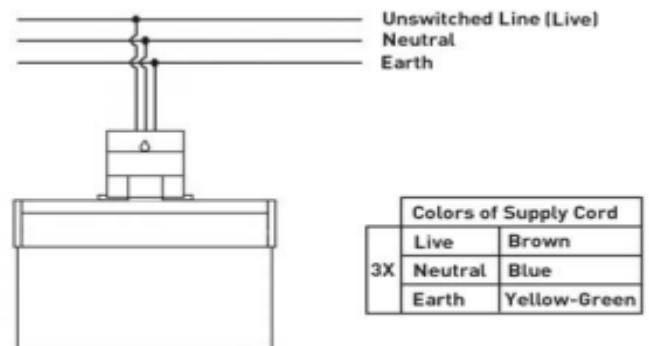
TECHNICAL DATA

Supply Voltage	: 230 VAC 50/60 Hz
Power	: 3,25 W
Power Factor (PF)	: 0.94
Ambient Temperature (ta)	: 0 °C ... +40 °C
Rated Duration	: 3 hours
Battery Charging Time	: 24 hours
Battery Type	: 3,6 V Ni-Cd
Sign Dimensions	: 114 x 223 mm
Viewing Distance	: 19 m
Protection Class	: IP 20
Insulation Class	: I
Surface Mounted Box Size (mm)	: 38 x 245 x 187
Recessed Box Size(mm)	: 102 x 312 x 187

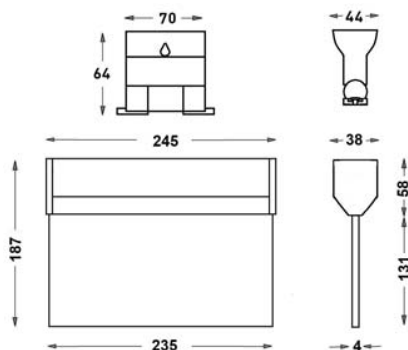
Flush Mounting Dimension



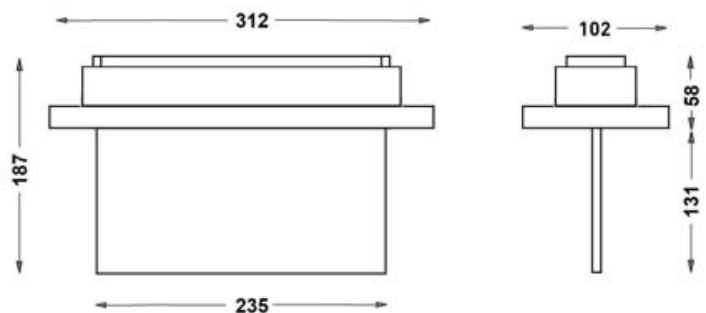
Network Connection



Technical Drawing / Surface Mounted



Technical Drawing / Under Plaster



Product List

Product Code	Emergency Burn Time	Grid Drawn Power	Power Factor(PF)	Operation Mode	Light Source	Routing Type	Mounting Method	Weight (kg)	Dimension (mm)
ALD-003SM-01201-865-00CE	3 hours	3,25	0,94	Continuous	4 x SMD LED	Double Faced	Surface Mounted - Plastic Rod	0,525	38 x 245 x 187
ALD-003SMAH-01201-865-00CE	3 hours	3,25	0,94	Continuous	4 x SMD LED	Double Faced	Surface Mounted - Steel Hanger Teji	0,745	38 x 245 x 187
ALD-003HM-01201-865-00CE	3 hours	3,25	0,94	Continuous	4 x SMD LED	Double Faced	Surface Mounted - Metal Rod	0,605	38 x 245 x 187
ALD-003RM-01201-865-00CE	3 hours	3,25	0,94	Continuous	4 x SMD LED	Double Faced	Under Plaster	0,910	102 x 312 x 187